

# SOLAR BOLLARD LIGHT

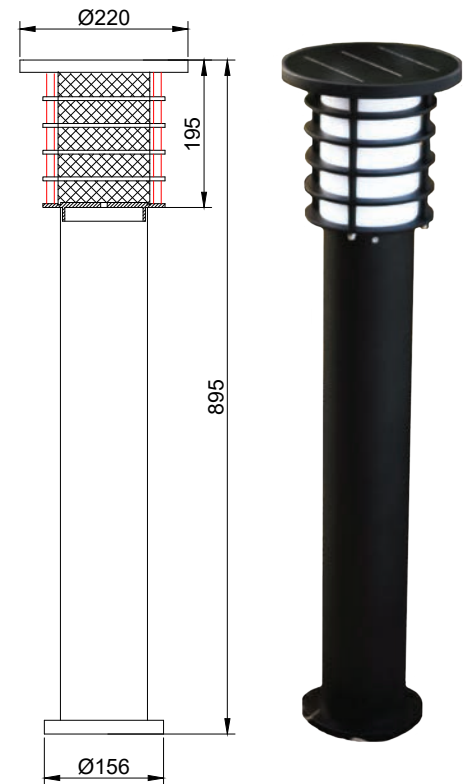


Greenshine

## BOLLARD (GS-LL40)

Solar Bollard Light (GS-LL40) is ideal for pathway lighting, private road lighting, area lighting, gate lighting, yard lighting, campus lighting etc.

Solar Panel	3.5W, mono crystalline
Light Source	356 lumens   3000K
Battery	12V 2.6Ah, lithium battery
Work Time	10 hours
Material	Aluminium
Height	3ft
Working Temperature	0 - 122 Degrees Fahrenheit
Weight	14 lbs.
Finish	Black powder coating



## STANDARD FEATURES

- Solar Panel – Designed for 25+ years of operation
- Super bright white LEDs
- LED lifespan 50,000+ hours
- Solar charge intelligent controller
- Over charging/discharging protection
- Corrosion resistant
- Cast aluminum pole

## APPLICATIONS

- Pathway Lighting
- Area Lighting
- Yard Lighting
- Private Road Lighting
- Fence Lighting
- Farm & Ranch Lighting
- Campus Lighting





# Greenshine

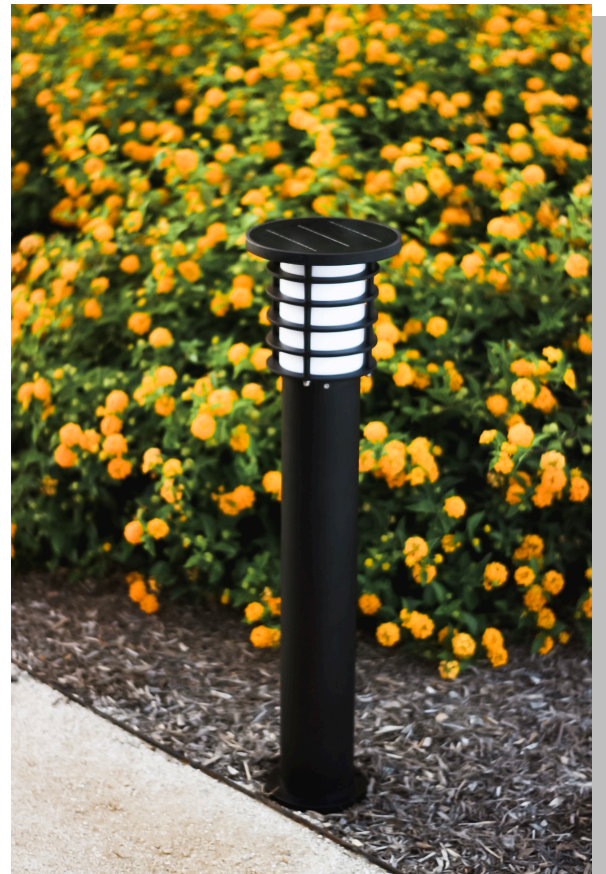
ENJOY COST EFFECTIVE NATURAL ENERGY

## Benefits

- Not grid tied – No trenching/ metering
- Environmentally friendly - 100% powered by the sun, solar panels reduce fossil fuel consumption, eliminating pollution
- Self-contained solution - Light on/off controlled by automatic daylight sensing or hour preset, no running or maintenance cost
- No power outages
- Battery backup for cloudy or rainy days
- Distributed light and power - no single point of failure for enhanced security
- Easy to install with quick connect plugs - less than 1 hour
- No scheduled maintenance for up to 5 years
- No trenching required. No cost of replacing concrete, asphalt or landscaping
- No monthly electric bills
- Controlled charging to prolong battery service life
- Long-life solar panels with more than 25 years of power generation capacity
- Better light source - LED lights feature cool white light without flickering and higher brightness than sodium lights
- Safe 12 volt/24 volt circuit, no risk of electric shock

## Operating Environment

- Ambient Operating Temperature Range:  
-22°F to 122°F
- Humidity Range: 10 - 90%



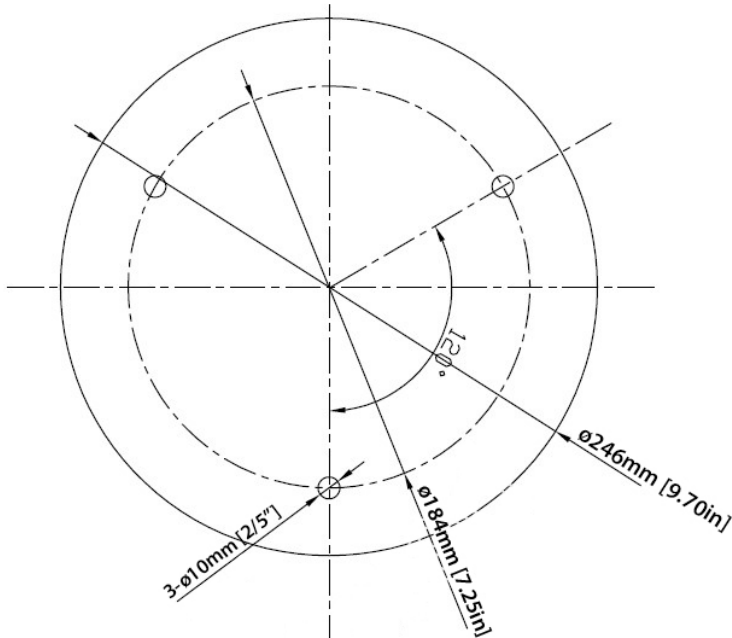


# Greenshine

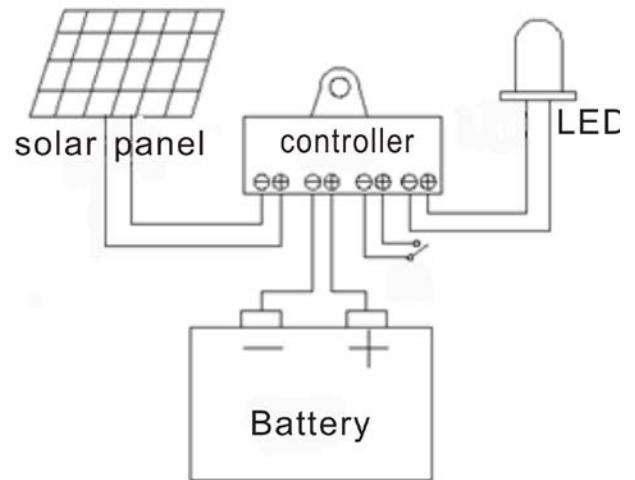
ENJOY COST EFFECTIVE NATURAL ENERGY

## Installation

Please fix the lamp body, make an opening at the concrete road or concrete foundations according to the lamp's fixed hole before the installation, then fix the lamp on the foundation (refer to below installation diagram).



Bottom Flange

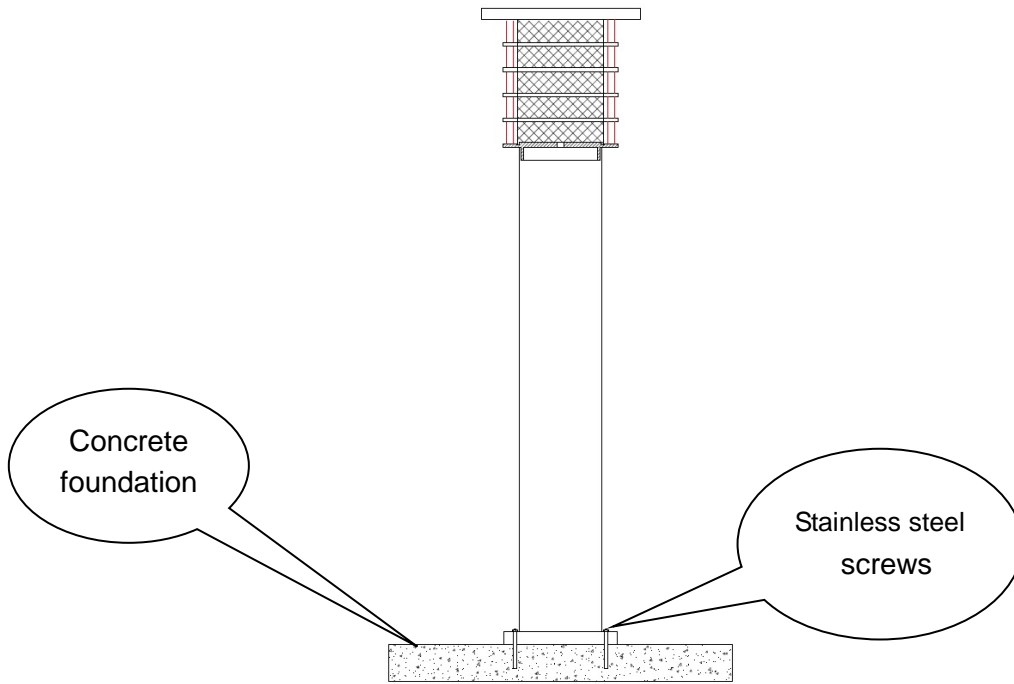


System connection

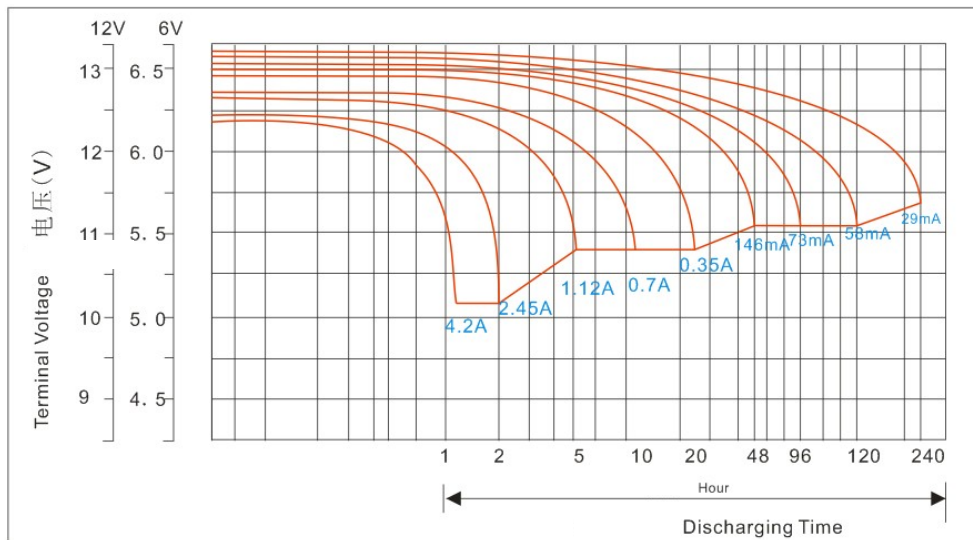


# Greenshine

ENJOY COST EFFECTIVE NATURAL ENERGY



Installation Diagram



Discharging Characteristics curve graph (25°C/77°F)



## Troubleshooting

Problems	Problems Cause	Solutions
<u>Testing</u> The light doesn't work when the solar panel is covered.	The switch is off.	Please turn on the switch.
	Poor connection	Please make sure the wires are correctly connected to the controller.
	The controller is damaged.	Repair the controller or replace it with the same model controller.
The light fails to turn off.	Ambient light is much weaker	The light source will start automatically when the ambient light is strong enough.
	Poor connection	Check the connection between solar panel and controller to make sure wire interface is under normal situation.
	The controller is damaged.	Repair the controller or replace it with the same model controller.
Lights shut off too soon.	The solar panel is covered by other things	Clean the solar panel
	Poor connection	Check the connection between the battery and the controller to make sure wire interference is in good condition.
	The voltage of the battery is low	If the low voltage is caused by too many rainy days, it will recover automatically when weather improves.