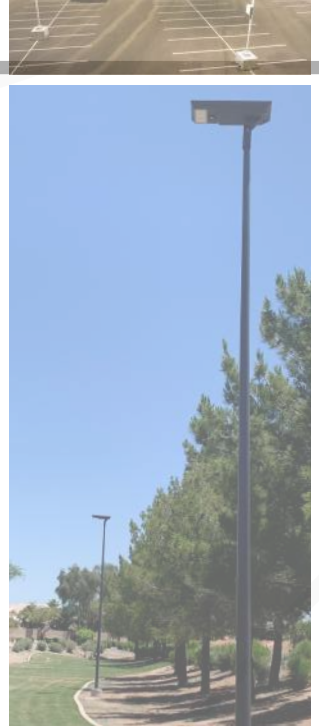
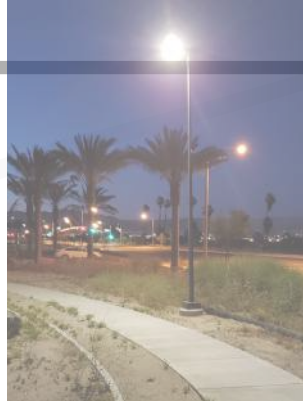




 Greenshine

OUTDOOR SOLAR LIGHTING SOLUTIONS



ALLTA PRO

ALLTA PRO | GENERAL SPECIFICATIONS



Greenshine

Light Fixture (GS-LED-ALLTA-PRO)

Luminaire Input Voltage	DC 12V 24V
Power Consumption	10W 20W 30W
Lumen	2000 4000 6000 lumens
Color Temperature	3000-4000-5000 K
IES Lighting Type	Type II III
Material	Die-cast aluminum



Solar Panel (1 Unit)

30W

Rating Power	30 W
Maximum Power Voltage	25 V
Maximum Power Current	10 A
Output Voltage	(Battery Voltage + 2V)~55V
Output Current	0.15~2.0A (Programable)
Size	31.75"x11.85"x5.82"
Weight	11 lb 12.5 lb 13.9 lb

Battery (1 Unit)

Battery Type	Lithium
Operating Voltage	12V (Programable)
Capacity	6.0Ah 12Ah 18Ah
Dimensions	6.8(L)×5(W)×1.45(H) (in)
Expected Life	5 ~ 7 years

Solar Charger

Operating Voltage	12 V/24 V auto recognition
Max. Charge / Load Current	10A
Night / Day Detection	3.0V – 8.0 V
IP Class	IP65

Pole

Height	20 ft
Diameter	6 3/4" at the bottom, 4" at the top
Thickness	5/32"
Material	Galvanized Steel
Finishing	Powder Coating



ALLTA PRO | GENERAL SPECIFICATIONS



Greenshine

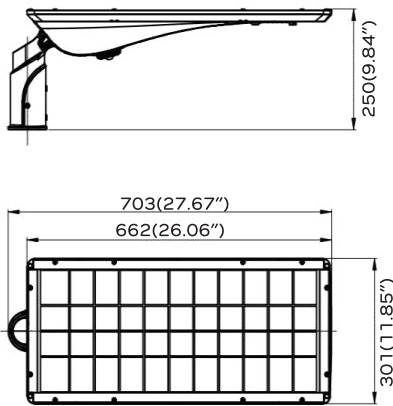
SPECIFICATIONS

Luminaire Input Voltage
Power Consumption
Lumen Output
Color Temperature
IES Lighting Type
Material
Lens
IP Class
Insulation
Operating Temperature
CRI

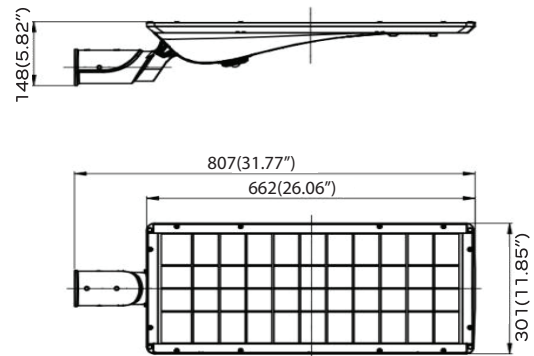
DC 12V | 24V
10W | 20W | 30W
2000 | 4000 | 6000 lumens
3000-4000-5000 K
Type II | III
High pressure die-cast aluminum
5mm toughened glass, optical grade PMMA
IP 65
Class I
-30°C ~+50°C / -22°F ~+122°F
≥70

Weight: 11 lb | 12.5 lb | 13.9 lb

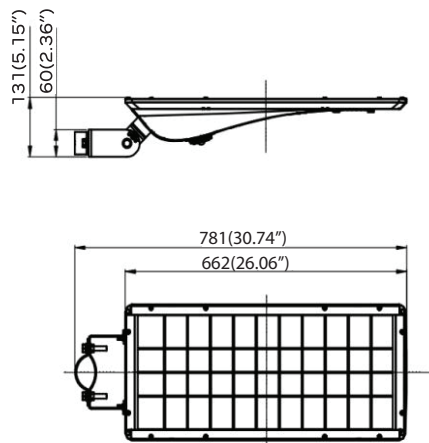
DIMENSIONS



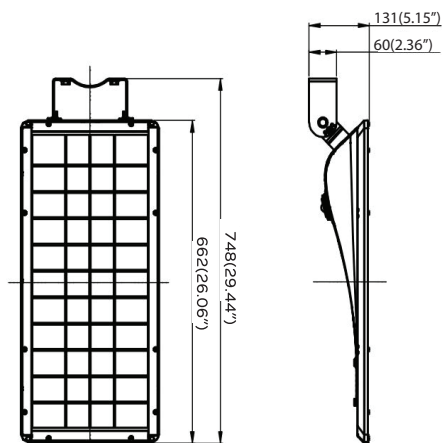
Post Top Mount



Side Entry Mount



Pole Clamp Bracket Mount



Wall Mount



ALLTA PRO SERIES

Solar Powered LED Lighting System



Greenshine

OVERVIEW

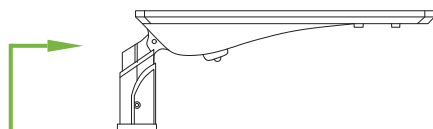
The Allta Pro Series features customizable outdoor solar light solutions depending on your specific application and an adjustable mounting bracket. Each system is completely customized according to your location, project and lighting requirements; also systems can be configured to run throughout the night or have them dim to save energy when full light is not required and with the option for a motion detection.

PART NUMBER

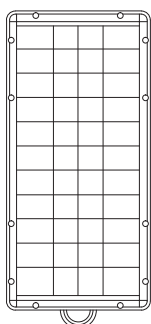
SYSTEM	LUM. QTY.	LUMINAIRE	OPTICS	LOAD	COLOR TEMP.	DRIVER	ARM	BOX QTY.
ALLTA All-In-One	1 Single 2 Dual	ALLTA All-In-One	T2 Type 2 T3 Type 3	10W 20W 30W ##	3K 3000 Kelvin 4K 4000 Kelvin 5K 5000 Kelvin	50MA	A2 2' Arm A4 4' Arm A6 6' Arm A8 8' Arm A0 No Arm A# Custom	N/A
BATTERY QTY.	BATT. MNT.	BATTERY	PV QTY.	PV WATT	POLE HEIGHT	COLOR	OPERATING PROFILE	
1B 1 Battery per unit (inside fixture)	N/A	6 6 amp 12 12 amp 18 18 amp	1 Single	30W	P14 14ft P20 20ft P26 26ft P# Custom	BK Black GR Grey C# Custom	5/40 DIM 6/40 DIM 7/40 DIM 8/40 DIM D2D	

FIXTURES

SPECIFICATIONS

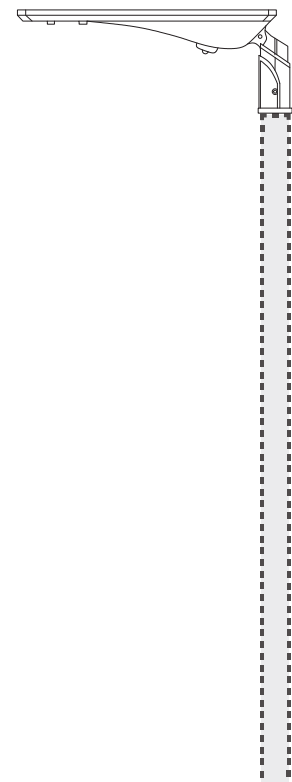


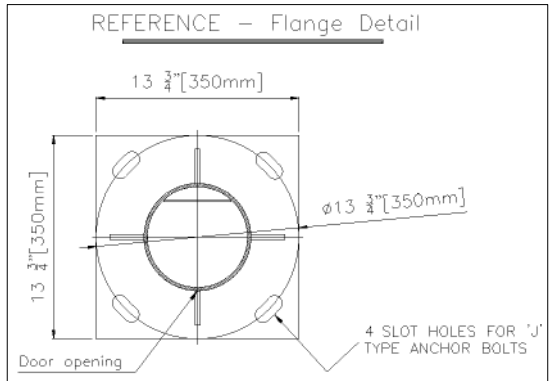
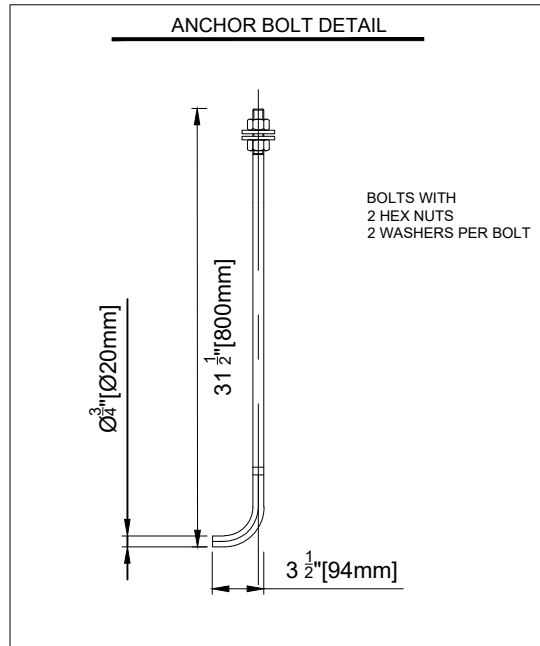
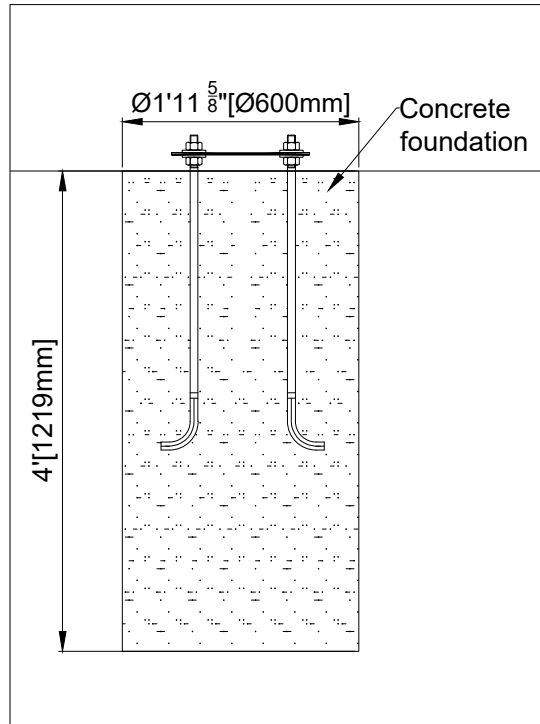
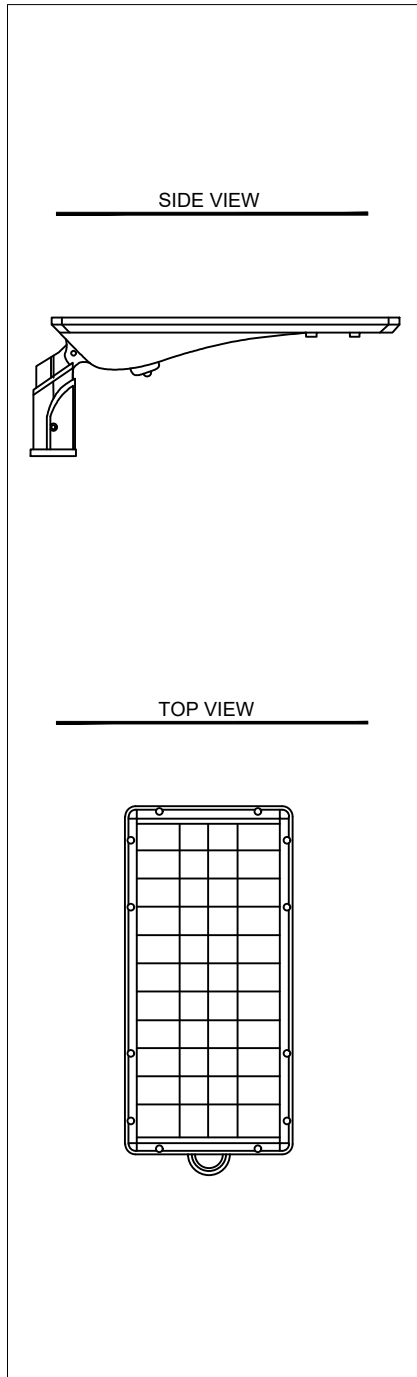
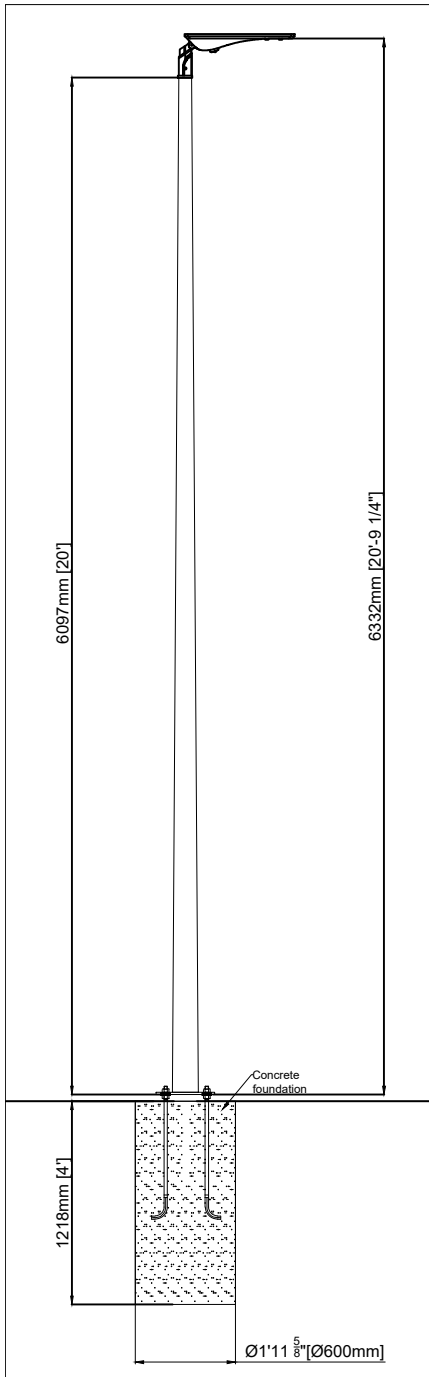
SIDE VIEW
10W | 20W | 30W
TYPE 2 & 3



TOP VIEW

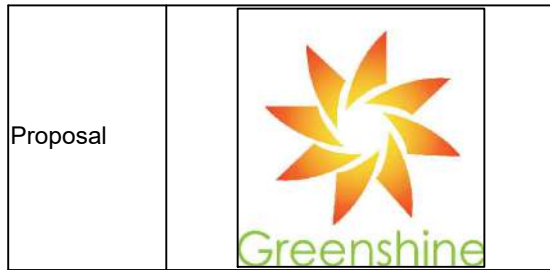
- ▶ **Luminaire**
 - 60,000 hours.
 - 3000K - 5000K available with standard 4000K.
 - Turtle Friendly compliant fixtures available.
- ▶ **Panel Mount**
 - Rated to 145mph. 185mph available.
- ▶ **Solar Panel**
 - Mono-crystalline Photovoltaic solar panels.
- ▶ **Battery Enclosure**
 - Vented, corrosion resistant stainless steel battery box.
 - Holds battery and controller.
 - Includes lock.
- ▶ **Lithium-Type Battery**
 - Greenshine Battery - Maintenance-free 99% recyclable.
 - 6.8Ah - 8.0Ah seal Lithium Cell batteries.
- ▶ **Smart Controller**
 - Controller - Solar Charge controller that monitors and regulates charging and discharging of batteries. Also, programable to specific operating profile for project.
- ▶ **2 Year Limited Warranty**





- Foundation dimensions shall be confirmed by a local engineering company, Greenshine New energy will not be held liable for any defect of the concrete foundation due to improper sizing.
- Drawings are based using hot-dipped galvanized steel, powder coating with a thickness of $\frac{1}{16}$ "
- *EPA of the system exclude the EPA of the pole, includes the solar panels, brackets, arm and LED fixture and battery box.
- **Wind resistance of the poles are indicative and further customization can be provided.

Tilt angle of the solar panels	15	30	45	60
EPA (ft ²)*				
Wind resistance** (mph)	150	150	150	150



System ALLTA PRO - 20' POLE

By Luis Jimenez Date 1/8/2021

GREENSHINE NEW ENERGY



Greenshine

2 YEAR LIMITED WARRANTY

Greenshine New Energy provides a 2 year limited warranty on its solar lighting system. Greenshine will, at its option, repair or replace any Greenshine system that is defective. Additionally, certain components within Greenshine's system have extended warranty protection against failure as defined below:

COMPONENT	WARRANTY
*Solar Panel	2 Years
Pole and Mounting Brackets	5 Years
LED Light Fixture	2 Years
Electronics (Controller, driver)	5 Years
**Battery	5 Years

Specific restrictions may apply due to site-specific conditions, please check quote's details for more information.

This warranty does not cover damage or malfunction, as determined by Greenshine service technicians or engineers, due to abuse, misuse, incorrect installation, or accident such as, but not limited to:

- Failure to follow storage, installation, operation, and maintenance instructions provided by Greenshine
- Vandalism, theft, lightning, flood, "Acts of God", and other problems beyond the control of Greenshine
- Unauthorized or improper repairs or adjustments including use of any replacement parts not provided by Greenshine.
- Deployed in an abnormal or inconsistent manner from Greenshine New Energy written and verbal instructions
- Greenshine New Energy liability and Purchaser's remedy under Greenshine New Energy warranty is limited to the replacement of any defective item, but under no circumstance shall exceed the purchase price of the goods. Other warranties may be available for an additional cost with additional coverage and/or labor allowance included.
- Any repair cost not approved by Greenshine New Energy will not be reimbursed.
- Purchaser is responsible for any and all costs involved to service and/or replace defective good including labor, shipping, and rental of equipment.

**Greenshine New Energy provides a limited warranty for battery replacement with the following prorated coverage:

- 0 to 2 years: 100% credit (user pays 0% of the replacement battery price)
- 2 to 3 years: 60% credit (user pays 40% of the replacement battery price)
- 3 to 4 years: 40% credit (user pays 60% of the replacement battery price)
- 4 to 5 years: 20% credit (user pays 80% of the replacement battery price)