

 Greenshine

OUTDOOR SOLAR LIGHTING SOLUTIONS

BOLLARD

SOLAR BOLLARD LIGHT

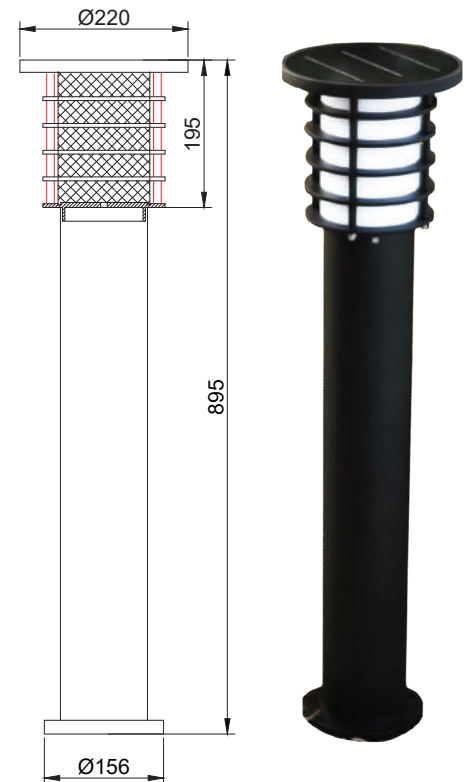


Greenshine

BOLLARD (GS-SL-40S)

Solar Bollard Light (GS-SL-40S) is ideal for pathway lighting, private road lighting, area lighting, gate lighting, yard lighting, campus lighting etc.

Solar Panel	3.5W, mono crystalline
Light Source	2.5W, white LED@150lumen per watt, 3000K
Battery	12V 2.6Ah, lithium battery
Work Time	Up to 10 hours
Material	Aluminium
Height	3ft
Working Temperature	0 - 122 Degrees Fahrenheit
Weight	20 lbs.
Finish	Black powder coating



STANDARD FEATURES

- Solar Panel – Designed for 25+ years of operation
- Super bright white LEDs
- LED lifespan 50,000+ hours
- Solar charge intelligent controller
- Over charging/discharging protection
- Corrosion resistant
- Cast aluminum pole

APPLICATIONS

- Pathway Lighting
- Area Lighting
- Yard Lighting
- Private Road Lighting
- Fence Lighting
- Farm & Ranch Lighting
- Campus Lighting



BOLLARD

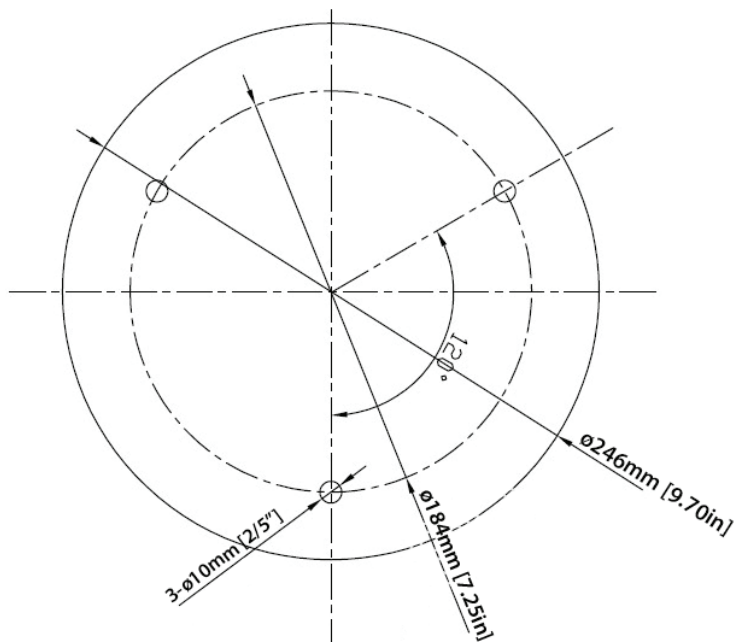
Solar Powered LED Lighting System



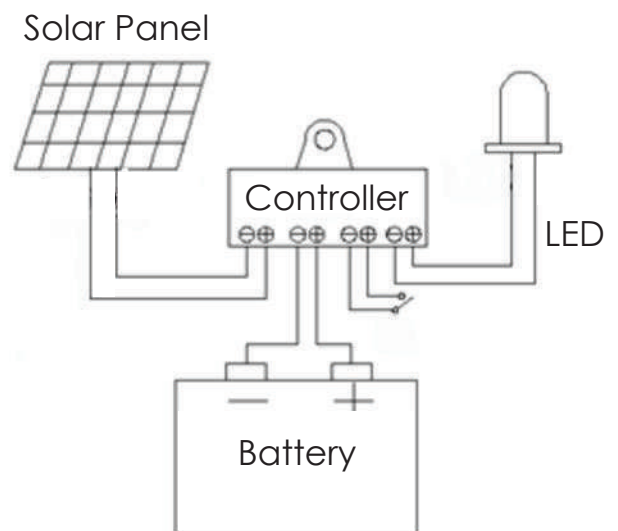
Greenshine

INSTALLATION

Please fix the lamp body, make an opening at the concrete road or concrete foundations according to the lamp's fixed hole before the installation, then fix the lamp on the foundation (refer to below installation diagram).



Bottom Flange



System Connection

COMPANY ADDRESS: 23661 BIRTCHE DR, LAKE FOREST, CA, 92630
Tel: +1-949-609-9636, Fax: +1-949-812-6690, E-mail: sales@streetlights-solar.com
Website: streetlights-solar.com

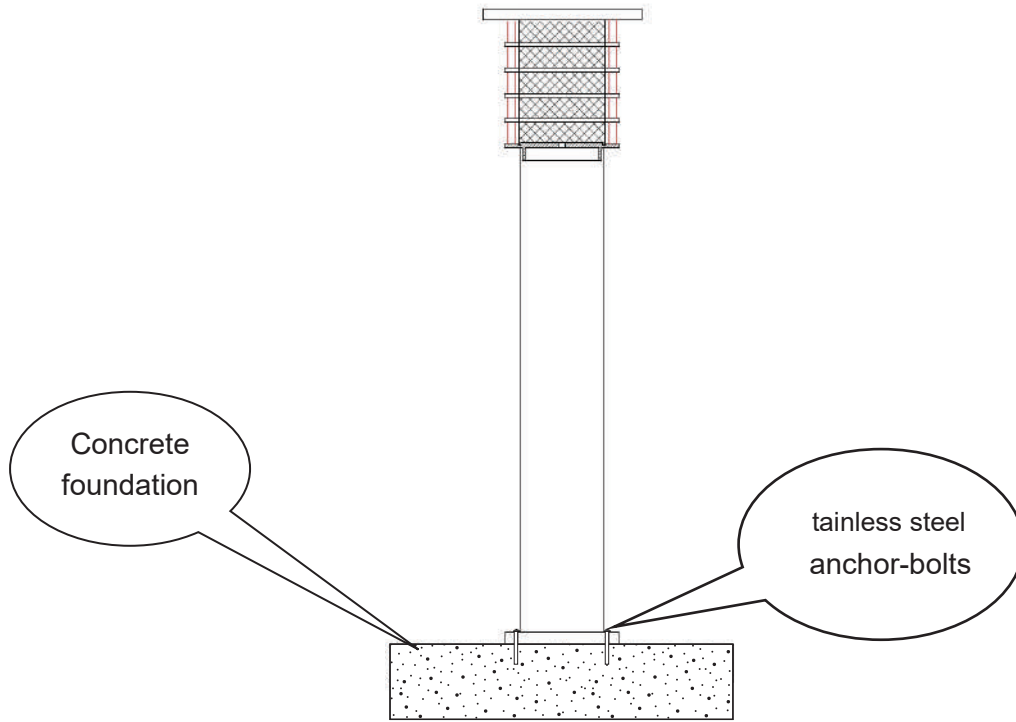


BOLLARD

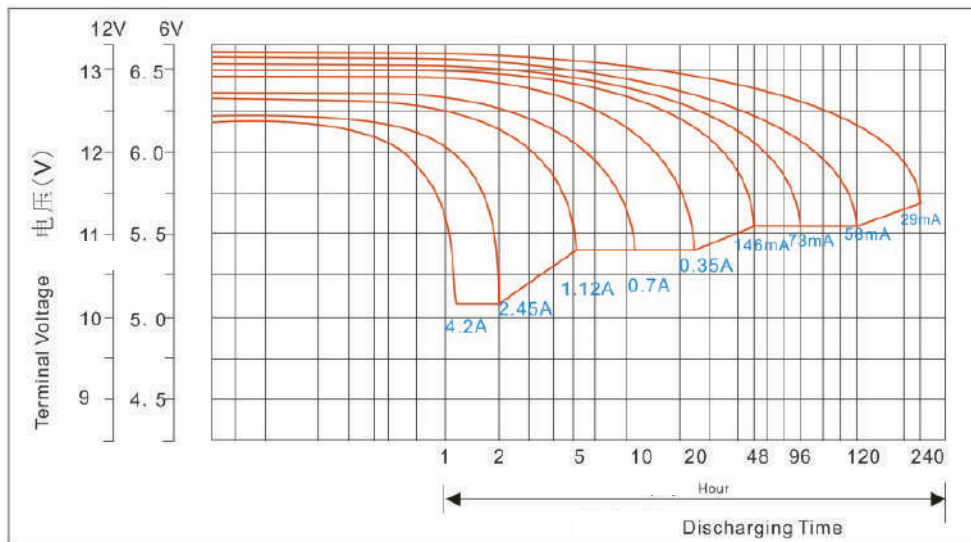
Solar Powered LED Lighting System



Greenshine



Installation Diagram



Discharging Characteristics curve graph (25°C/77°F)

COMPANY ADDRESS: 23661 BIRTCHE DR, LAKE FOREST, CA, 92630
Tel: +1-949-609-9636, Fax: +1-949-812-6690, E-mail: sales@streetlights-solar.com
Website: streetlights-solar.com



BOLLARD

Solar Powered LED Lighting System



Greenshine

TROUBLESHOOTING

POSSIBLE ISSUES	CAUSES	SOLUTIONS
Testing The light doesn't work when the solar panel is covered.	The switch is off	Please turn on the switch.
	Poor connection	Please make sure the wires are correctly connected to the controller.
	The controller is damaged	Repair the controller or replace it with the same model controller.
The light fails to turn off	Ambient light is much weaker	The light source will start automatically when the ambient light is strong enough.
	Poor connection	Check the connection between solar panel and controller to make sure wire interface is under normal situation.
	The controller is damaged.	Repair the controller or replace it with the same model controller.
Lights shut off too soon	The solar panel is covered by other	Clean the solar panel.
	Poor connection	Check the connection between the battery and the controller to make sure wire interference is in good condition.
	The voltage of the battery is low	If the low voltage is caused by too many rainy days, it will recover automatically when weather improves.

COMPANY ADDRESS: 23661 BIRTCHEER DR, LAKE FOREST, CA, 92630

Tel: +1-949-609-9636, Fax: +1-949-812-6690, E-mail: sales@streetlights-solar.com

Website: streetlights-solar.com



Project 1



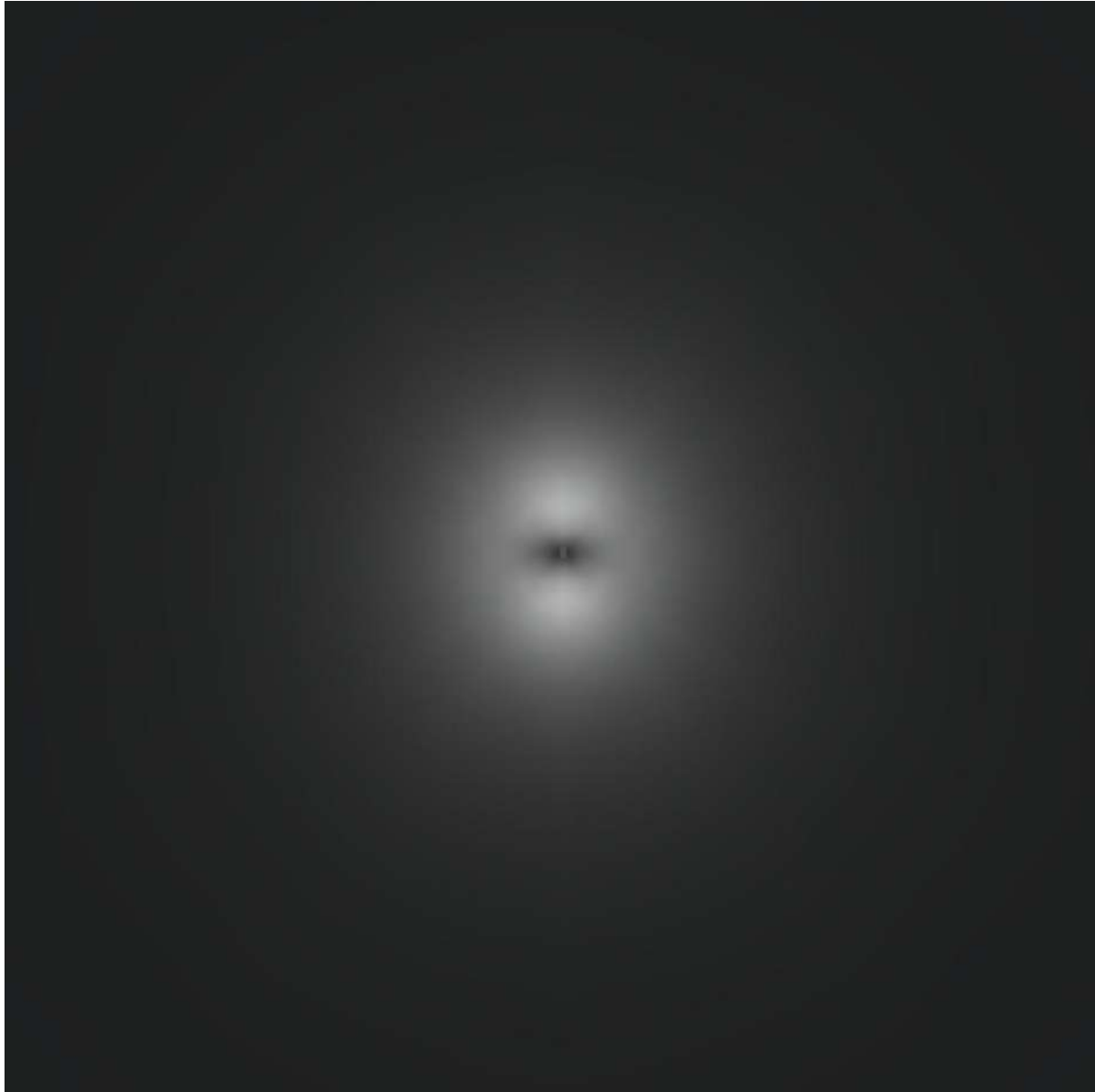
03 / 23 / 2020

Greenshine New Energy

23661 Birtcher Dr
Lake Forest, CA 92630

Operator Luis Jimenez
Telephone 949-609-9636 X 104
Fax
e-Mail luis.jimenez@streetlights-solar.com

BOLLARD 3W - 3' POLE / 3D Rendering

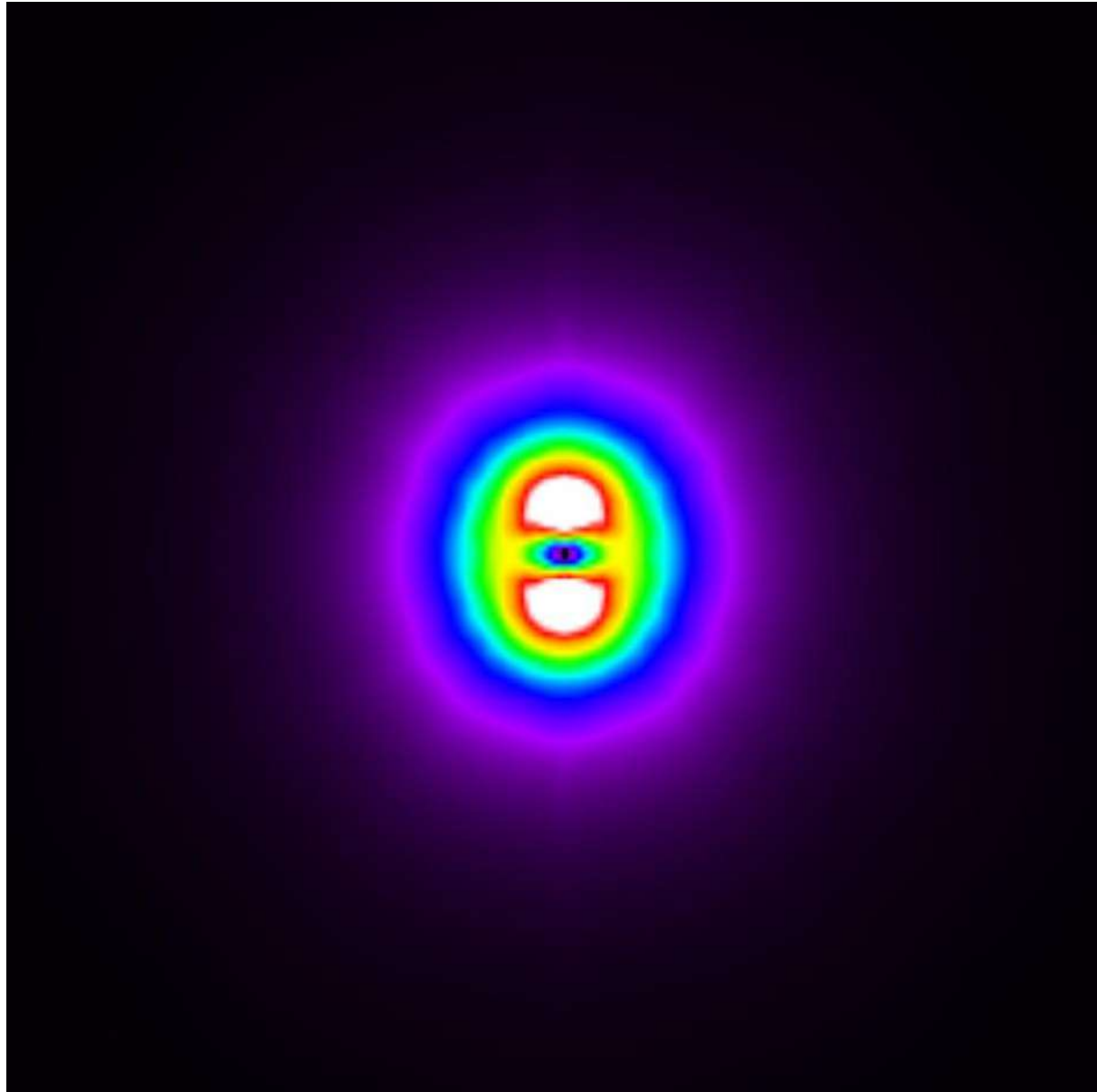




Greenshine New Energy
23661 Birtcher Dr
Lake Forest, CA 92630

Operator Luis Jimenez
Telephone 949-609-9636 X 104
Fax
e-Mail luis.jimenez@streetlights-solar.com

BOLLARD 3W - 3' POLE / False Color Rendering

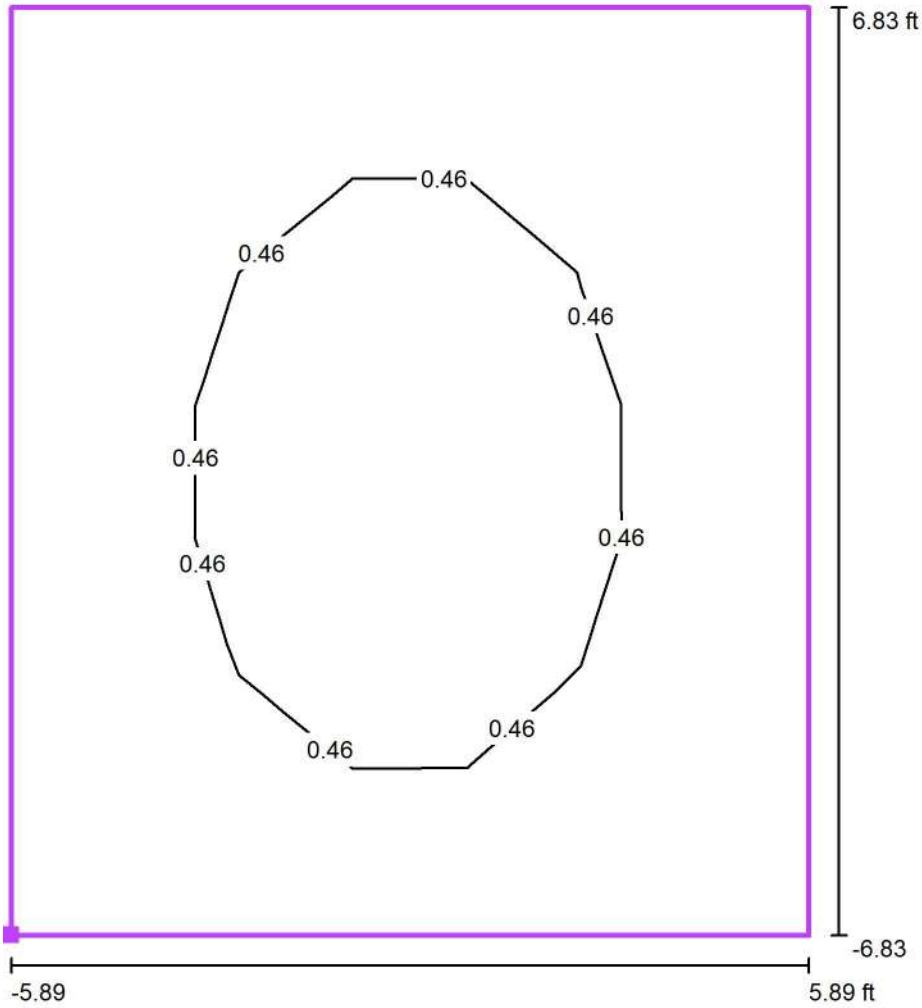


0 0.13 0.25 0.38 0.50 0.63 0.75 0.88 1.00 fc

Greenshine New Energy
23661 Birtcher Dr
Lake Forest, CA 92630

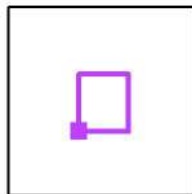
Operator Luis Jimenez
Telephone 949-609-9636 X 104
Fax
e-Mail luis.jimenez@streetlights-solar.com

BOLLARD 3W - 3' POLE / Calculation Grid 1 / Isolines (E, Perpendicular)



Values in Footcandles, Scale 1 : 34

Position of surface in external scene:
Marked point: (165.881 ft, 164.942 ft,
0.000 ft)



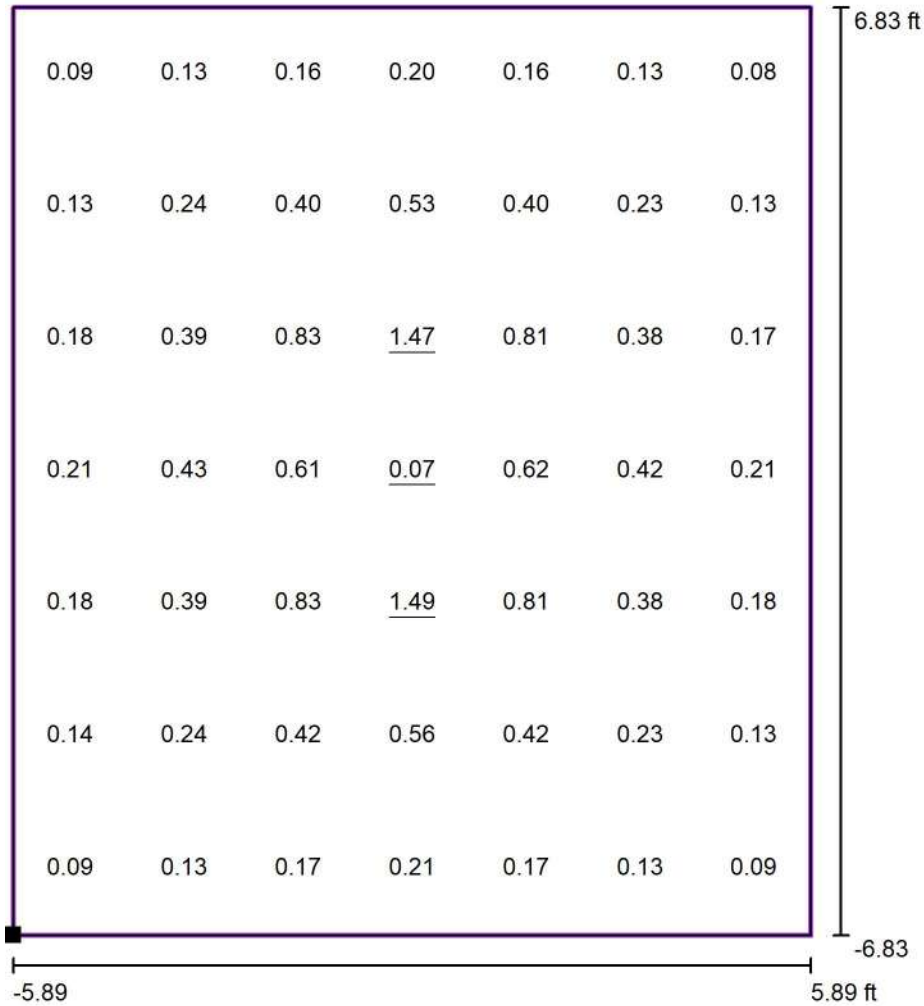
Grid: 7 x 7 Points

E_{av} [fc]	E_{min} [fc]	E_{max} [fc]	u0	E_{min} / E_{max}
0.35	0.07	1.49	0.20	0.05

Greenshine New Energy
 23661 Birtcher Dr
 Lake Forest, CA 92630

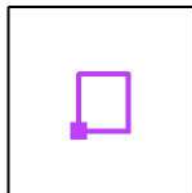
Operator Luis Jimenez
 Telephone 949-609-9636 X 104
 Fax
 e-Mail luis.jimenez@streetlights-solar.com

BOLLARD 3W - 3' POLE / Calculation Grid 1 / Value Chart (E, Perpendicular)



Values in Footcandles, Scale 1 : 34

Position of surface in external scene:
 Marked point: (165.881 ft, 164.942 ft,
 0.000 ft)



Grid: 7 x 7 Points

E_{av} [fc]	E_{min} [fc]	E_{max} [fc]	u0	E_{min} / E_{max}
0.35	0.07	1.49	0.20	0.05



GREENSHINE NEW ENERGY OUTDOOR SOLAR LIGHTING SOLUTIONS

1 Year Warranty (Bollard System)

Greenshine New Energy provides a 1 year warranty on its Bollard products. Greenshine will, at its option, repair or replace any Greenshine Bollard system that is defective.

This warranty does not cover damage or malfunction, as determined by Greenshine service technicians or engineers, due to abuse, misuse, incorrect installation, or accident such as, but not limited to:

- Failure to follow storage, installation, operation, and maintenance instructions provided by Greenshine
- Vandalism, theft, lightning, flood, "Acts of God", and other problems beyond the control of Greenshine
- Unauthorized or improper repairs or adjustments including use of any replacement parts not provided by Greenshine.
- Deployed in an abnormal or inconsistent manner from Greenshine New Energy written and verbal instructions
- Greenshine New Energy liability and Purchaser's remedy under Greenshine New Energy warranty is limited to the replacement of any defective item, but under no circumstance shall exceed the purchase price of the goods. Other warranties may be available for an additional cost with additional coverage and/or labor allowance included.
- Any repair cost not approved by Greenshine New Energy will not be reimbursed.
- Purchaser is responsible for any and all costs involved to service and/or replace defective goods including labor, shipping, and rental of equipment.

Greenshine New Energy Co.,Ltd.

Company address: 23661 Birtcher Dr., Lake Forest, CA 92630, USA

Tel : 949-609-9636, Fax: 949-812-6690, E-mail: sales@streetlights-solar.com

Website: <http://www.streetlights-solar.com>