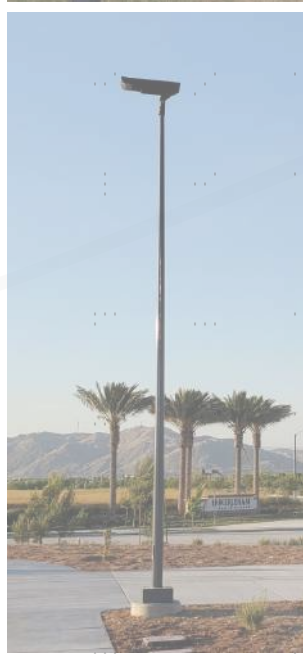
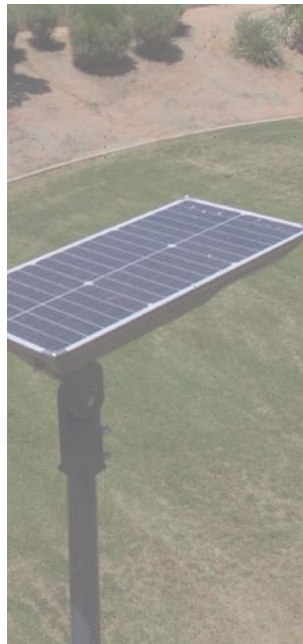
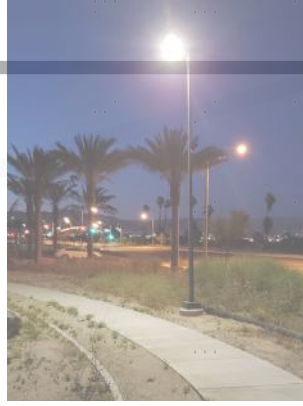




 Greenshine

OUTDOOR SOLAR LIGHTING SOLUTIONS



# ALLTA PRO

# ALLTA PRO | GENERAL SPECIFICATIONS



Greenshine

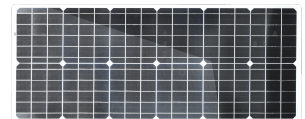
## Light Fixture (AIO-40W-4K-T3-24AhLFP)

Luminaire Input Voltage	DC 12V
Power Consumption	40W (20W default for D2D operation)
Lumen	7200 lumens
Color Temperature	4000 K
IES Lighting Type	Type III
Material	Die-cast aluminum
Weight	11.7 kg (25.80 lb)



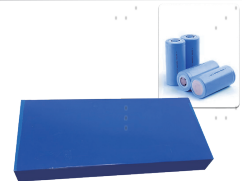
## Solar Panel ( 1 Unit)

Rating Power	57 W
Maximum Power Voltage	18 V
Size	42.12" x 13.38"



## Battery ( 1 Unit)

Battery Type	LiFePO4 Lithium
Operating Voltage	12.8V
Capacity	24.0Ah
Dimensions	11.6"×5.31"×1.38" (package)
Expected Life	5 ~ 7 years



## Solar Charger

Operating Voltage	12 V/24 V auto recognition
LED	=<50V = <2300MA
IP Class	IP67



## Pole

Height	20 ft
Diameter	6 3/4" at the bottom, 4" at the top
Thickness	5/32"
Material	Galvanized Steel
Finishing	Powder Coating



# ALLTA PRO | GENERAL SPECIFICATIONS



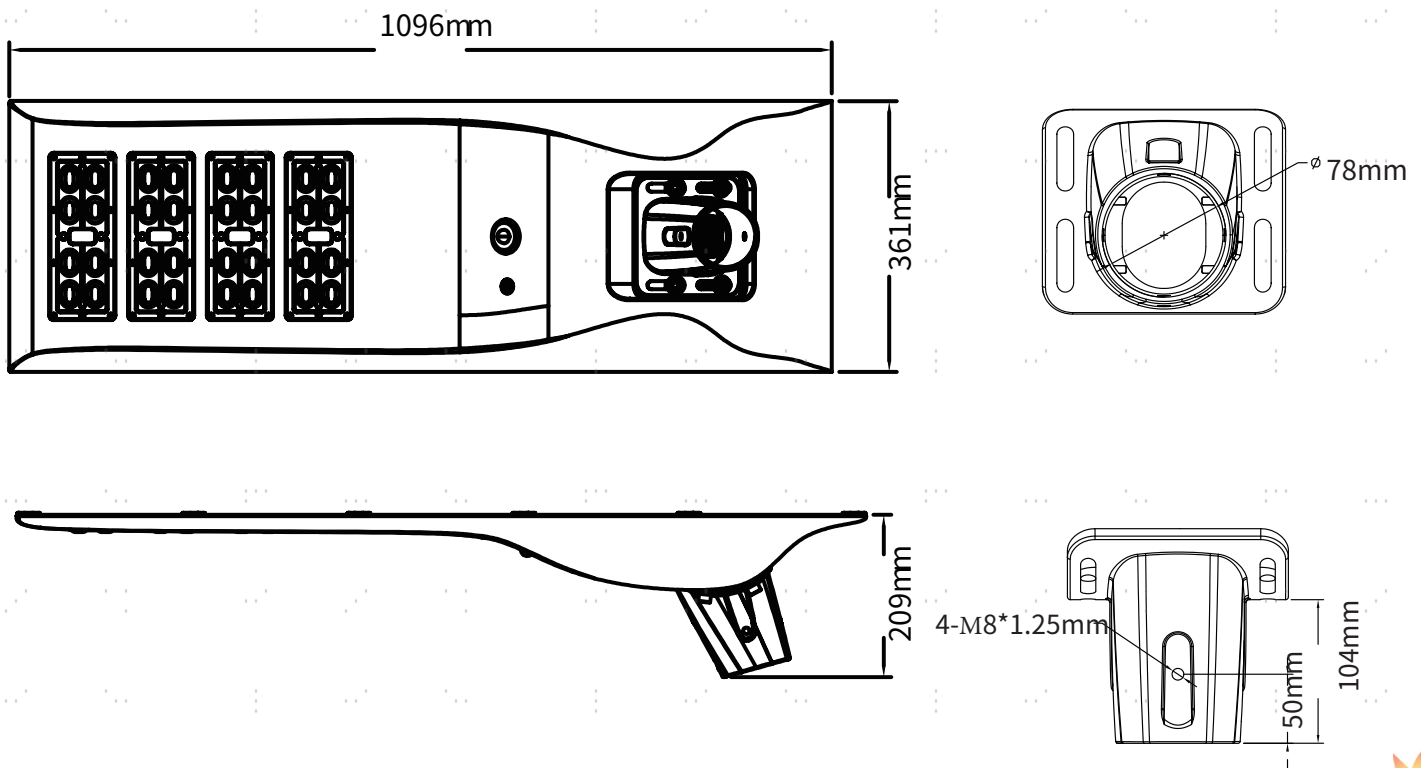
Greenshine

## SPECIFICATIONS

Luminaire Input Voltage	DC 12V
Power Consumption	40W (20W default for D2D operation)
Lumen Output	7200 lumens
Color Temperature	4000 K
IES Lighting Type	Type III
Material	High pressure die-cast aluminum
Lens	5mm toughened glass, optical grade PMMA
IP Class	IP 67
Insulation	Class I
Operating Temperature	0°C ~+50°C / 32°F ~+122°F
CRI	≥70
Weight	25.80 lb

4 hours at 20Ws (3600 lumens) at dusk and then dimming to 6W (1080 lumens) for the remainder of the night, until motion-activated back to 20W (3600 lumens) for a period of 1 minute. This is the standard setting for 2.8 peak sun hours per day in December.

## DIMENSIONS



# ALLTA PRO SERIES

## Solar Powered LED Lighting System



Greenshine

### OVERVIEW

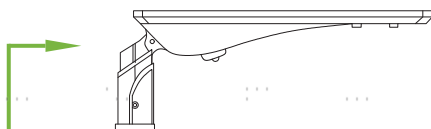
The Allta Pro Series features customizable outdoor solar light solutions depending on your specific application and an adjustable mounting bracket. Each system is completely customized according to your location, project and lighting requirements; also systems can be configured to run throughout the night or have them dim to save energy when full light is not required and with the option for a motion detection.

### PART NUMBER

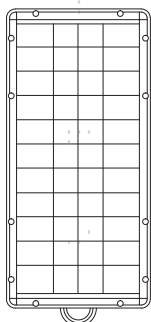
SYSTEM	LUM. QTY.	LUMINAIRE	OPTICS	LOAD	COLOR TEMP.	DRIVER	ARM	BOX QTY.
<b>ALLTA</b> All-In-One	<b>1</b> Single <b>2</b> Dual	<b>ALLTA</b> All-In-One	<b>T3</b> Type 3	<b>40W</b>	<b>4K</b> 4000 Kelvin	<b>50MA</b>	<b>A0</b> No Arm <b>A#</b> Custom	<b>N/A</b>
BATTERY QTY.	BATT. MNT.	BATTERY	PV QTY.	PV WATT	POLE HEIGHT	COLOR	OPERATING PROFILE	
<b>1B</b> 1 Battery per unit (inside fixture)	<b>N/A</b>	<b>24</b> 24 amp	<b>1</b> Single	<b>57W</b>	<b>P14</b> 14ft <b>P20</b> 20ft <b>P#</b> Custom	<b>BK</b> Black <b>GR</b> Grey	<b>D</b> Default <b>C</b> Custom	

### FIXTURES

### SPECIFICATIONS

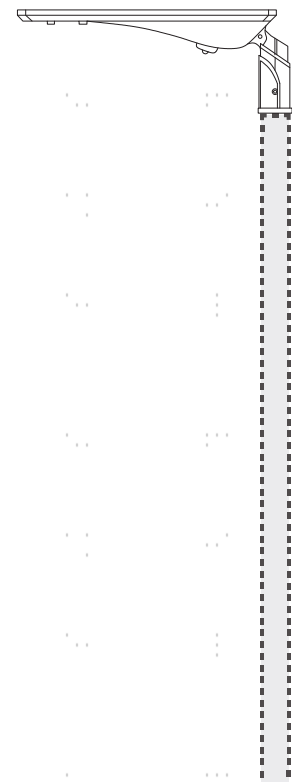


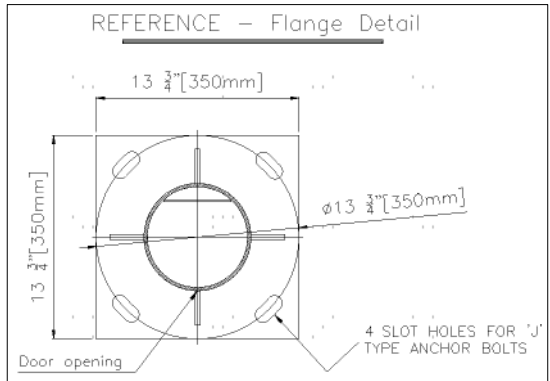
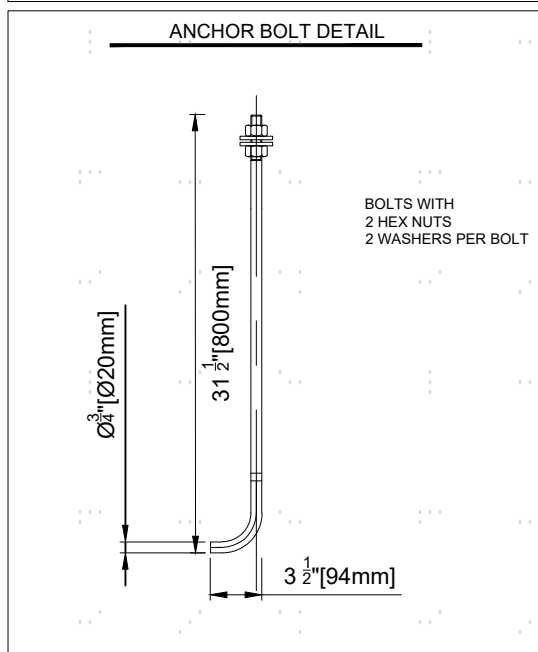
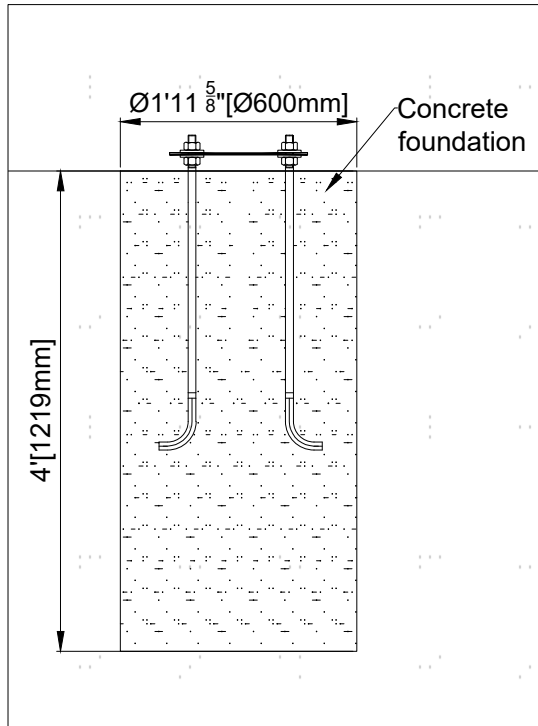
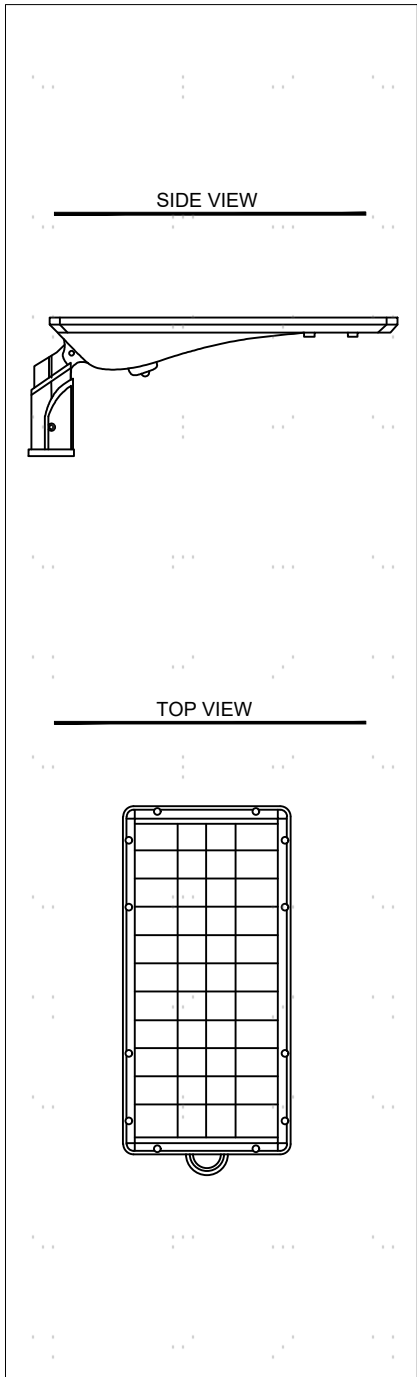
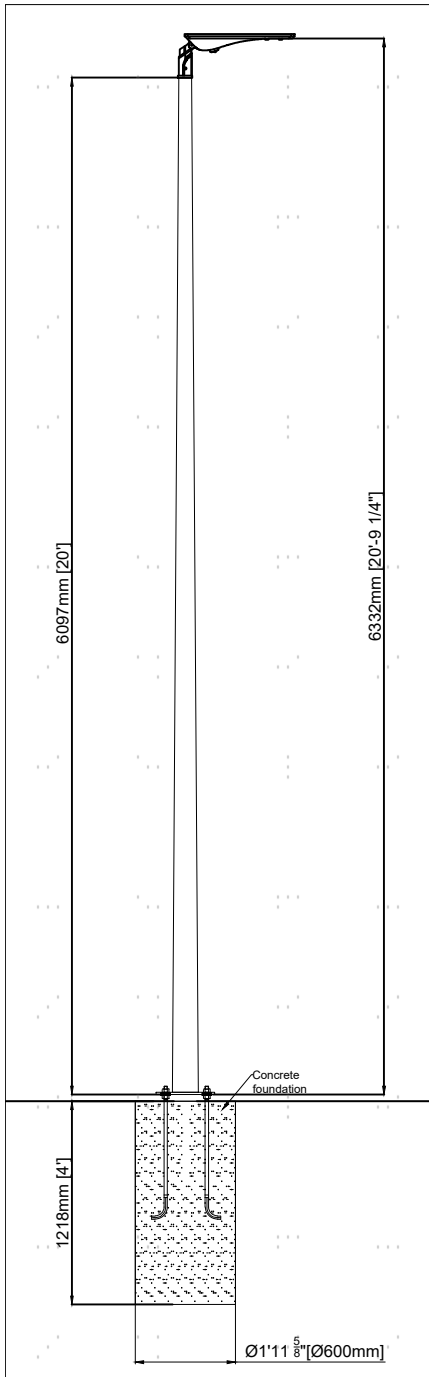
**SIDE VIEW**  
40w  
TYPE 3



**TOP VIEW**

- ▶ **Luminaire**
  - 60,000 hours.
  - 3000K - 5000K available with standard 4000K.
- ▶ **Panel Mount**
  - Rated to 145mph. 185mph available.
- ▶ **Solar Panel**
  - Mono-crystalline Photovoltaic solar panels.
- ▶ **Lithium-Type Battery**
  - Greenshine Battery
  - Maintenance-free 99%recyclable.
  - 6.8Ah - 8.0Ah seal Lithium Cell batteries.
- ▶ **Smart Controller**
  - Controller
  - Solar Charge controller that monitors and regulates charging and discharging of batteries. Also, programable to specific operating profile for project.
- ▶ **2 Year Limited Warranty**





- Foundation dimensions shall be confirmed by a local engineering company, Greenshine New energy will not be held liable for any defect of the concrete foundation due to improper sizing.
- Drawings are based using hot-dipped galvanized steel, powder coating with a thickness of  $\frac{1}{16}$ "
- \*EPA of the system exclude the EPA of the pole, includes the solar panels, brackets, arm and LED fixture and battery box.
- \*\*Wind resistance of the poles are indicative and further customization can be provided.

Tilt angle of the solar panels	0	15
EPA (ft <sup>2</sup> )*		
Wind resistance** (mph)	150	150

Proposal

**Greenshine**

System	ALLTA PRO - 20' POLE		
By	Luis Jimenez	Date	1/8/2021

# GREENSHINE NEW ENERGY



Greenshine

## 2 YEAR LIMITED WARRANTY

Greenshine New Energy provides a 2 year limited warranty on its solar lighting system. Greenshine will, at its option, repair or replace any Greenshine system that is defective. Additionally, certain components within Greenshine's system have extended warranty protection against failure as defined below:

COMPONENT	WARRANTY
Solar Panel	2 Years
Pole and Mounting Brackets	5 Years
LED Light Fixture	2 Years
Electronics (Controller, driver)	2 Years
Battery	2 Years

Specific restrictions may apply due to site-specific conditions, please check quote's details for more information.

This warranty does not cover damage or malfunction, as determined by Greenshine service technicians or engineers, due to abuse, misuse, incorrect installation, or accident such as, but not limited to:

- Failure to follow storage, installation, operation, and maintenance instructions provided by Greenshine
- Vandalism, theft, lightning, flood, "Acts of God", and other problems beyond the control of Greenshine
- Unauthorized or improper repairs or adjustments including use of any replacement parts not provided by Greenshine.
- Deployed in an abnormal or inconsistent manner from Greenshine New Energy written and verbal instructions
- Greenshine New Energy liability and Purchaser's remedy under Greenshine New Energy warranty is limited to the replacement of any defective item, but under no circumstance shall exceed the purchase price of the goods. Other warranties may be available for an additional cost with additional coverage and/or labor allowance included.
- Any repair cost not approved by Greenshine New Energy will not be reimbursed.
- Purchaser is responsible for any and all costs involved to service and/or replace defective good including labor, shipping, and rental of equipment.