

 Greenshine

OUTDOOR SOLAR LIGHTING SOLUTIONS

MOBILE SOLAR TOWER

GS-CM300 | GENERAL SPECIFICATIONS



Greenshine

Camera (1 × 4MP PTZ + 2 × 4MP Bullet)

4MP PTZ QTY x 1



4MP Bullet QTY x 2



24 Days storage 4G Router

Loud Speaker



Solar Panel (1 Units)

435W

Rating Power	435 W
Maximum Power Voltage	33.04 V
Maximum Power Current	13.17 A
Open Circuit Voltage	39.33 V
Short Circuit Current	14.22 A
Size	67.79" x 44.64" (1 Unit)
Weight	45.85 lb (1 Unit)

Battery (2 Units)

Battery Type	GEL Deep Cycle Lead-Acid
Operating Voltage	DC 12 V
Capacity	2 x 12 V 200AH, 4,800 WH
Dimensions	16(L)×7(W)×9.2(H) (in)
Expected Life	5 ~ 7 years

Mast

Type	Round
Materials	6063 aluminum alloy
Mast Height	19' (Extended) 6'3" (Retracted)
Stage	4
Mast Raise	Manual Lift



GS-CM300 | GENERAL SPECIFICATIONS



Greenshine

Controller

40A MPPT

95% Efficiency

Trailer

Type
Tire and rim size
Stabilizers
Drawbar

Single Axel
185R 14C
4 adjustable manual stabilizers
Complies with U.S. D.O.T.

Charging Time

Charging

9.3 hours by Solar

Running Time

Running Time

40W - 4 days

Dimension

Shipping (all packed)

1900mm x 1500mm x 1100mm

Transporting (installed)

2900mm x 1500mm x 2500mm

Operating

2900mm x 2500mm x 6200mm



GREENSHINE GEL-TYPE BATTERY

Solar Powered Camera System



Greenshine

OVERVIEW

GEL deep cycle battery with a 12 years floating design life is especially designed for frequent cyclic discharge under extreme temperature.



GS-GEL-H200

Cells per unit	6
Voltage per unit	12V
Capacity	200Ah @ 20hr-rate to 1.75V per cell @ 25°C / 77°F
Weight	56.5 kg / 124 lb
Dimensions L x W x H	522 x 218 x 240(mm) 20.5" x 8.5" x 9.5"
Max Discharge Current	1500A (5 Sec)
Operating Temp. range	-40°C~60°C -40°F~140°F
Flot Charging Voltage	13.6 to 13.8 VDC / unit average at 25°C / 77°F
Recommended max. charging current	30A
Self-discharge	Valve Regulated Lead Acid can be stored for more than 6 months at 25°C/77°F. Self-discharge ratio less than 3% per month at 25°C/77°F. Please charge batteries before using.
Equalization and cycle service	14.6 to 14.8 VDC / unit average at 25°C / 77°F
Terminal type	5ft cooper wire leads from the battery case

GREENSHINE GEL-TYPE BATTERY

Solar Powered Camera System



Greenshine



OVERVIEW

Hikvision DS-2DE4425IW-DE(T5) 4MP 25x Network IR Speed Dome adopts 1/2.8" progressive scan CMOS chip. With the 25x optical zoom lens, the camera offers more details over expansive areas.

4MP PTZ

Camera	
Image Sensor	1/2.8" progressive scan CMOS
Max. Resolution	2560 × 1440
Min. Illumination	Color: 0.005 Lux @ (F1.6, AGC ON); B/W: 0.001 Lux @ (F1.6, AGC ON), 0 Lux with IR
Shutter Speed	1 s to 1/30,000 s
Slow Shutter	Yes
Day & Night	IR cut filter
Zoom	25x optical, 16x digital
Lens	
Focus	Auto, semi-auto, manual
Aperture	Max. F1.6
Zoom Speed	Approx. 3.6 s
Focal Length	4.8 mm to 120 mm
FOV	Horizontal field of view: 55° to 2.4° (wide-tele), Vertical field of view: 33° to 1.4° (wide-tele), Diagonal field of view: 61.5° to 2.8° (wide-tele)
Illuminator	
Supplement Light Type	IR
Supplement Light Range	IR Distance: up to 100 m
PTZ	
Proportional Pan	Yes
Park Action	Preset, pattern scan, patrol scan, auto scan, tilt scan, random scan, frame scan, panorama scan
Scheduled Task	Preset, pattern scan, patrol scan, auto scan, tilt scan, random scan, frame scan, panorama scan, dome reboot, dome adjust, auxiliary output
Movement Range (Pan)	360°
Movement Range (Tilt)	-15° to 90° (auto flip)
Pan Speed	pan speed: configurable from 0.1° to 80°/s; preset speed: 80°/s
Tilt Speed	tilt speed: configurable from 0.1° to 80°/s, preset speed 80°/s

GREENSHINE GEL-TYPE BATTERY

Solar Powered Camera System



Greenshine

OVERVIEW

Hikvision ColorVu technology provides 24/7 vivid colorful images with F1.0 advanced lenses and high performance sensors.



4MP Bullet

Camera

Image Sensor	1/1.8" Progressive Scan CMOS
Min. Illumination	Color: 0.0005 Lux @ (F1.0, AGC ON), 0 Lux with white light
Shutter Speed	1/3 s to 1/100,000 s
Slow Shutter	Yes
Wide Dynamic Range	130 dB
Angle Adjustment	Pan: 0° to 360°, tilt: 0° to 90°, rotate: 0° to 360°

Lens

Focal Length & FOV	2.8 mm, horizontal FOV 111.9°, vertical FOV 60.5°, diagonal FOV 133.6° 4 mm, horizontal FOV 95.2°, vertical FOV 50.6°, diagonal FOV 114.7° 6 mm, horizontal FOV 58.4°, vertical FOV 31°, diagonal FOV 68.7°
Lens Mount	M16
Aperture	F1.0
Depth of Field	2.8 mm: 3.1 m to ∞ 4 mm: 5.4 m to ∞ 6 mm: 12.1 m to ∞

DORI

DORI	2.8 mm, D: 58.2 m, O: 23.1 m, R: 11.6 m, I: 5.8 m 4 mm, D: 77 m, O: 30.5 m, R: 15.4 m, I: 7.7 m 6 mm, D: 115.6 m, O: 45.9 m, R: 23.1 m, I: 11.6 m
------	---

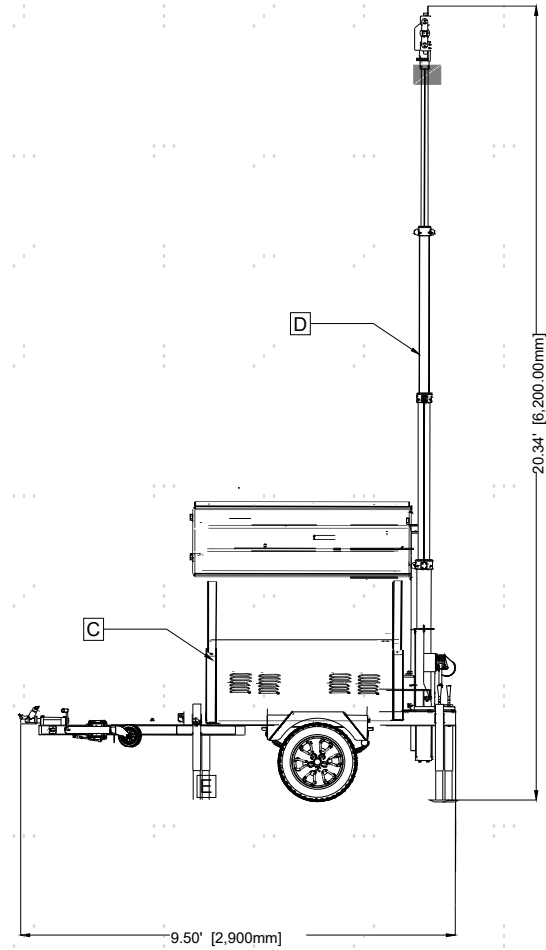
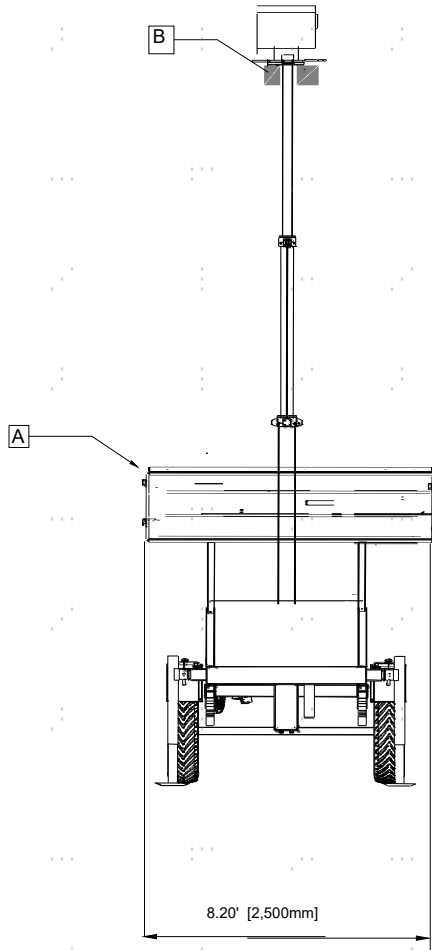
Illuminator

Smart Supplement Light	Yes
White Light Range	Up to 60 m
Visual Alarm	Yes

GS-CM300

LEGEND

- A. Mono-Crystalline Solar Cell - Solar Panels; Orient towards True South per manufacturer's recommendation.
- B. Cameras
- C. Battery Enclosure
- D. Retractable Tapered Galvanized Steel Pole



- Drawings are based using hot-dipped galvanized steel, powder coating with a thickness of 5
 - *EPA of the system exclude the EPA of the pole, includes the solar panels, brackets, arm and LED fixture and battery box.
 - **Wind resistance of the poles are indicative and further customization can be provided.

Tilt angle of the solar panels	180
EPA (ft ²)	13.3
Wind resistance** (mph)	40

System	Mobile Solar Tower - CM
By	Luis Jimenez
Date	6/9/2021
Website	www.streetlights-solar.com



GREENSHINE NEW ENERGY



Greenshine

5 YEAR LIMITED WARRANTY

Greenshine New Energy provides a 5 year limited warranty on its solar lighting system. Greenshine will, at its option, repair or replace any Greenshine system that is defective. Additionally, certain components within Greenshine's system have extended warranty protection against failure as defined below:

COMPONENT	WARRANTY
*Solar Panel	20 Years
Pole and Mounting Brackets	5 Years
Camera	5 Years
Electronics (Controller, driver)	5 Years
**Battery	5 Years

* Greenshine New Energy warrants that the power output of the PV Modules will be at least 80% of the minimum Peak Power rating for 20 years, and warrants that for 20 years beginning on the Warranty Start Date, its photovoltaic modules, shall be free from defects in materials and workmanship under normal application, installation, use and service conditions.

Specific restrictions may apply due to site-specific conditions, please check quote's details for more information.

This warranty does not cover damage or malfunction, as determined by Greenshine service technicians or engineers, due to abuse, misuse, incorrect installation, or accident such as, but not limited to:

- Failure to follow storage, installation, operation, and maintenance instructions provided by Greenshine
- Vandalism, theft, lightning, flood, "Acts of God", and other problems beyond the control of Greenshine
- Unauthorized or improper repairs or adjustments including use of any replacement parts not provided by Greenshine.
- Deployed in an abnormal or inconsistent manner from Greenshine New Energy written and verbal instructions
- Greenshine New Energy liability and Purchaser's remedy under Greenshine New Energy warranty is limited to the replacement of any defective item, but under no circumstance shall exceed the purchase price of the goods. Other warranties may be available for an additional cost with additional coverage and/or labor allowance included.
- Any repair cost not approved by Greenshine New Energy will not be reimbursed.
- Purchaser is responsible for any and all costs involved to service and/or replace defective good including labor, shipping, and rental of equipment.

**Greenshine New Energy provides a limited warranty for battery replacement with the following prorated coverage:

- 0 to 2 years: 100% credit (user pays 0% of the replacement battery price)
- 2 to 3 years: 60% credit (user pays 40% of the replacement battery price)
- 3 to 4 years: 40% credit (user pays 60% of the replacement battery price)
- 4 to 5 years: 20% credit (user pays 80% of the replacement battery price)