

Skid Steer Loader 4-in-1 Bucket User Manual



Read Carefully Before Use
Keep for Future Reference




Content

1	Safety Information	1
1.1	Symbol Guide	1
1.2	General Safety	1
1.3	Personal Safety	2
1.4	Operational Safety	2
1.5	Maintenance Safety	3
2	Specifications	4
3	Product Diagram	5
4	Installation	6
4.1	Removing the Current Attachment	6
4.1.1	Regular Attachment	6
4.1.2	Hydraulic Attachment	7
4.2	Attaching the Bucket	8
4.3	Connecting the Hydraulic Hoses	8
5	Operation	9
5.1	Pre-Operation Checklist	9
5.2	General Instructions	10
5.2.1	Digging with the Bucket	10
5.2.2	Picking Up a Load with the Jaw	11
5.2.3	Releasing a Load	11
5.2.4	Leveling with the Jaw	11
5.2.5	Dozing with the Bucket	12
5.2.6	Finishing-up	12
6	Maintenance	13

1. Safety Information

1.1 Symbol Guide

The following symbols and safety signal words are used in this manual. **DO** obey the accompanying messages to avoid possible injury or death.

 Danger	Indicates an imminently hazardous situation which, if not avoided, WILL result in death or serious injury.
 Warning	Indicates a potentially hazardous situation which, if not avoided, COULD result in death or serious injury.
 Caution	Indicates a potentially hazardous situation which, if not avoided, MAY result in minor or moderate injury. It may also be used to alert against unsafe practices.
Note	Indicates practices or situations which MAY result in the malfunction of, or damage to equipment.

1.2 General Safety

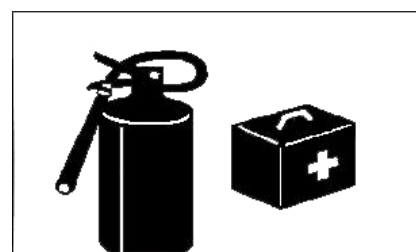
Danger

- **ALWAYS** follow federal, state, and local laws, codes, and regulations concerning the use of construction machinery.
- **ALWAYS** follow all other applicable instructions and precautions as stated in your skid steer loader's manual.
- Read and understand this manual before actually attaching this bucket to your compatible skid steer loader. Familiarize yourself with the instructions that provide crucial information on the installation, operation, and maintenance.
- Before installation, follow the manual of your skid steer loader to run a routine check of all major parts, especially the hydraulic system.
- **ONLY** use with compatible skid steer loader models. **DO** research compatibility before actually working with this bucket. For details, see **Specifications**.
- **DO NOT** operate, inspect, or maintain the skid steer loader when your faculties or judgment are impaired by alcohol, drugs, medicines, fatigue, or lack of sleep. **NEVER** allow any persons under such conditions to operate, inspect, or maintain this heavy machinery.

1.3 Personal Safety

Warning

- **DO NOT** wear loose clothes or accessories that may get caught into the moving parts of your skid steer loader in operation. Wear clothes that are oil-repellent. Replace them if grim or grease has started to build up. Fabrics coated or soaked with grim can burn in proximity to heated machinery.
- **ALWAYS** use personal protective equipment (PPE) suitable to your task. Always wear ANSI and OSHA-approved eye, breathing, and hand protection while using this product. Nonslip and steel-toe footwear is also highly recommended. Other equipment such as ear, head, and body protection may also be necessary depending on your work, work environment, and other equipment.
- **ALWAYS** keep a fire extinguisher and first-aid kit in an easily accessible place. Familiarize yourself with the protocols for using the first-aid kit and operating the fire extinguisher. Ensure that you provide training to other individuals who will be operating the skid steer loader. This ensures that everyone is prepared to handle potential emergencies effectively.
- Display the contact details of the nearest Emergency Room (ER) prominently in the operator's area. Make sure that all personnel operating the skid steer loader are well-informed about this information.
- Keep your hands and feet away from the moving components and attachment.



1.4 Operational Safety

Danger

- **ALWAYS** remain focused on the task at hand. Operating heavy equipment requires your full attention.
- **ONLY** operate the bucket from the skid steer loader's driver area.
- **NEVER** operate the skid steer loader in an area with people present. You should maintain at least 100 yards of distance between the bucket and people, animals, or property.
- **NEVER** lift hoist, or carry humans on any part of the skid steer loader or loader attachments. Failure to heed may result in serious injury or even death.
- **NEVER** suddenly stop when lowering or lifting the loader boom to prevent loss of control over the machine, which may result in serious injury or death.
- Be extremely careful when working on inclines or near loose fill, rocks, and holes as they can cause tipping or upsetting which may result in serious injury or death.
- Be certain to avoid overhead electrical wires when operating the skid steer loader. Contact with power lines may cause serious injury or death.

1. Safety Information

- Transport the skid steer loader with the bucket at the slowest speed possible, and with the loader boom at the lowest position to avoid tipping or upsetting, which may result in serious injury or death.

Warning

- **DO NOT** drop the bucket rapidly toward an object. Sudden impact may result in structural failure and possible serious injury or death.
- **DO NOT** operate the bucket underwater. Otherwise, the hydraulic system **WILL** be damaged.
- **DO NOT** overload the bucket as this **WILL** damage the arm cylinders or even topple the loader.
- **DO NOT** dismount from a moving skid steer loader with this bucket or leave the skid steer loader with this bucket unattended with the engine running.

Stop the skid steer loader, place the hydraulic controls in neutral, set the parking brake, shut off the engine, and make sure **ALL** moving parts have been stopped before dismounting the skid steer loader for any reason.

- When lifting the bucket, keep it level and prevent the load from spilling backward.
- Keep all bystanders away from the work area, especially children.
- Before applying pressure to the hydraulic system, make sure **ALL** components are tight and that steel lines, hoses, and couplers are not damaged.

1.5 Maintenance Safety

Danger

- **ALWAYS** lower the attachment to the ground, close the bucket, shut off the engine, and relieve pressure in the hydraulic system before any maintenance.
- **NEVER** use any part of your body to check for hydraulic leaks. Use a piece of wood or cardboard as a backstop when searching for a pin-hole leak in a hose or line.
- **DO NOT** attempt any makeshift repairs to the hydraulic lines, fittings, or hoses by using tape, clamps, or cement. The hydraulic system operates under extremely high pressure. Such repairs will fail suddenly and create hazardous conditions.

Warning

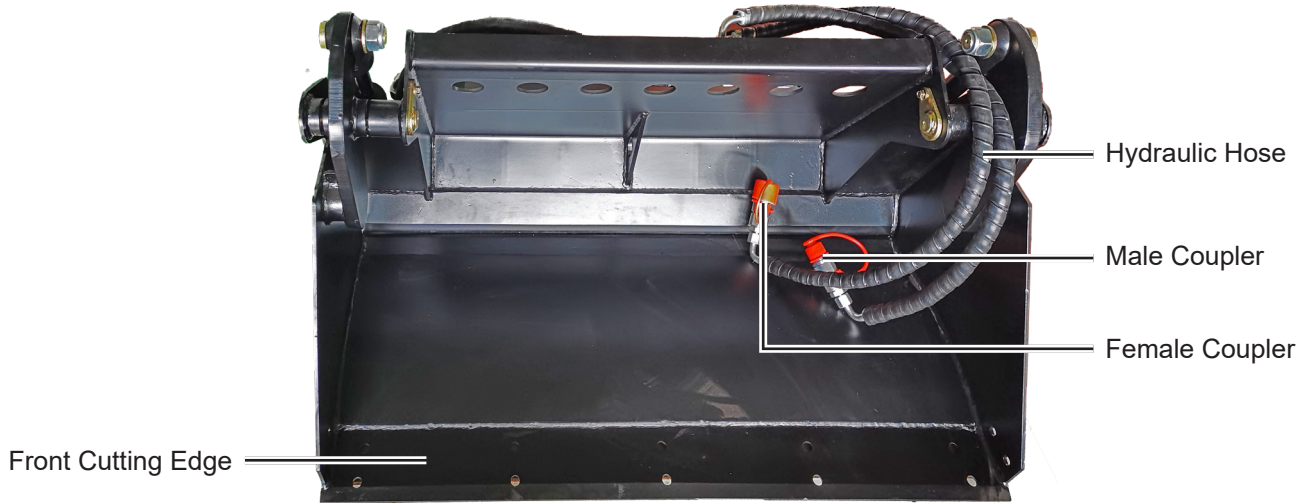
- **ALWAYS** wear PPE appropriate and adequate for maintenance.
- **DO NOT** make any alterations to the bucket.

2. Specifications

Bucket Volume		4.94 ft ³	0.14 m ³
Load Capacity		240.3 lb.	109 kg
Quick-Attach Coupler Size		23.6 ×9.4 (in.)	600×240 (mm)
Axis Pin Hole	Spacing	14.6 in.	370 mm
	Diameter	0.73 in.	18.6 mm
Distance between Axis Pin Holes and the Outer Surface of the Quick-Attach Coupler		2.4 in.	60 mm
Dozer Blade Width		40.6 in.	1030 mm
Max. Jaw Opening Angle		110°	
Length		40.6 in.	1030 mm
Width		27 in.	685 mm
Height		20.5 in.	520 mm
Net Weight		303.8 lb.	137.8 kg
Hydraulic Hose Coupler Size		G $\frac{1}{2}$ "	

3. Product Diagram

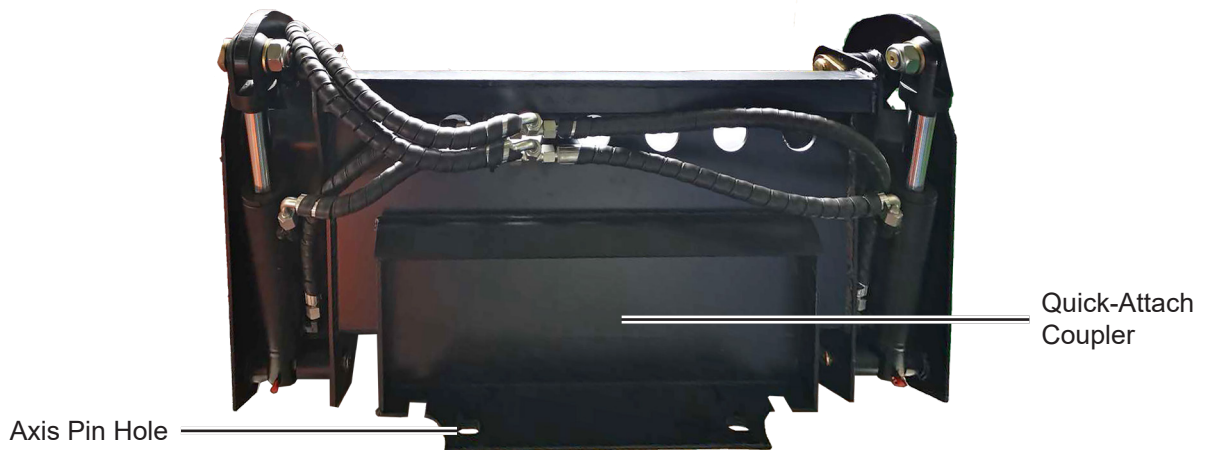
Front



Side



Rear



4. Installation

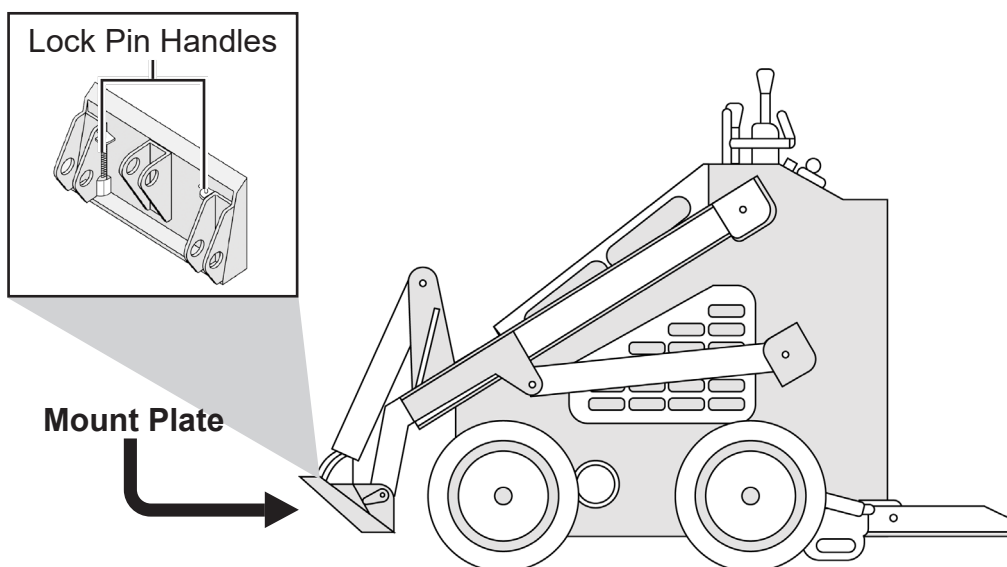
4.1 Removing the Current Attachment

Note: This chapter only provides general guidance on the loader's current attachment removal. For more specific information, refer to your skid steer loader's manual or your attachment's manual.

If the current attachment on your skid steer loader does not require hydraulic power, follow **Regular Attachment** below to remove it; if it does, follow **Hydraulic Attachment**.

4.1.1 Regular Attachment

1. Start the engine of the skid steer loader following the normal protocols.
2. Stand the attachment vertically by pushing the right control rod left a small amount.
3. Lay the attachment on the level ground by pushing the left control rod left.
4. Shut the engine.
5. Release the coupler locking mechanism by pulling up the lock pin handles on the mount plate and turning them away from the center of the attachment.



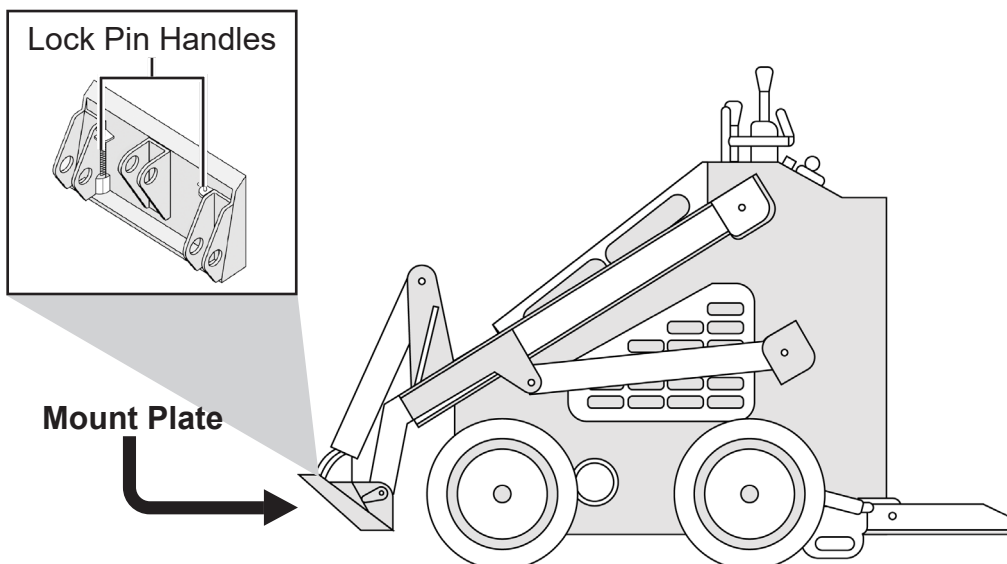
6. Remove the freed attachment using at least two people.

4.1.2 Hydraulic Attachment

Warning

- *Wear gloves and other protective gear, and use **EXTREME** care when handling the hydraulic hoses, which may remain hot enough to cause skin burns.*
- **ALWAYS** set the attachment control rod neutral before handling the hoses.

1. Start the engine of the skid steer loader following the normal protocols.
2. Stand the attachment vertically by pushing the right control rod left a small amount.
3. Lay the attachment on the level ground by pushing the left control rod left.
4. Shut the engine.
5. Move all the control rods back and forth to release any built-up pressure, and then set them neutral.
6. Wait until the engine and hydraulic oil have cooled to ambient temperature.
7. If the hydraulic connections have retaining clips, remove them first.
8. Disconnect all the hydraulic hoses that connect your skid steer loader to the hydraulic system of the current attachment by releasing their couplers.
9. Release the coupler locking mechanism by pulling up the lock pin handles on the mount plate and turning them away from the center of the attachment.



10. Remove the freed attachment using at least two people.

4.2 Attaching the Bucket

Warning

- Ensure that the bucket and the mount plate of your skid steer loader are free of dirt and debris.
- Use level ground to install the bucket. If the ground is not level, use wood blocks to help.
- Use at least three people to move the bucket. If possible, use a forklift.

1. Unpack the bucket and lay it on a level, stable surface.
2. Start the engine of the skid steer loader following the normal protocols.
3. Drive the skid steer loader to the rear of the bucket.
4. Angle the loader's mount plate to hook the bucket's quick-attach coupler. Tilt the mount plate backward a small amount until it is fully engaged with the quick-attach of the bucket.
5. Stop the engine and engage the parking brake.
6. Secure the coupler locking mechanism by pulling up the lock pin handles on the mount plate and turning them to the center of the attachment.

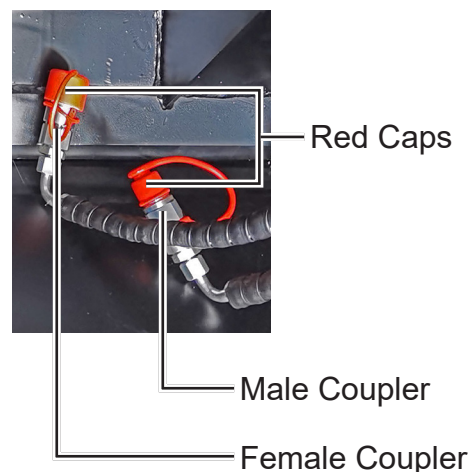
Ensure that the lock pins have been inserted into the axis pin holes on the quick-attach coupler.

4.3 Connecting the Hydraulic Hoses

Warning

- Wear gloves and other protective gear, and use **EXTREME** care when handling the hydraulic hoses, which may remain hot enough to cause skin burns.
- Ensure that the hydraulic couplers are free of dirt and debris.

1. Shut the engine.
2. Move all the control rods back and forth several times so that there is no residual pressure at the hydraulic couplers.
3. Ensure that all controls are in neutral.
4. Wait until the engine and hydraulic oil have cooled to ambient temperature.
5. Open the red cap and connect the male coupler of one hydraulic hose on the bucket to the female coupler on the loader by inserting the male coupler.
6. Open the red cap and connect the female coupler of the other hydraulic hose on the bucket to the male coupler on the loader by inserting the female coupler.



7. Arrange the hydraulic hoses as needed to ensure they are not at risk of damage or interfering with operations.
8. Test the bucket and make sure you have enough hose length to perform the full range of the loader's operating heights, but be careful not to over-extend the cylinders.
9. Visually check for any hydraulic oil leak.

If any, repeat steps 1–4 and redo the connection where the leakage is.

5. Operation

 **Warning**

- **NEVER** allow anyone to operate the bucket until they have carefully read and understood this manual.
- **ONLY** use this bucket for its intended purposes, dozing, digging, loading, gripping, carrying, and dumping materials.
- Before operating, carefully check for hazards and obstructions.
- Keep all bystanders away from the work area, especially children.

5.1 Pre-Operation Checklist

This bucket is designed to ensure years of trouble-free use. However, a poorly maintained machine is an invitation to expenses and trouble. We recommend following the checklist below to inspect the bucket and your skid steer loader before operation.

Tasks	√
Ensure that the bucket is tightly attached to your loader.	
Check the lock pins for wear that may cause the bucket to fall off.	
Check all the moving parts of the bucket for wear.	
Ensure that the two hydraulic hoses are securely connected to your loader.	
Ensure that all hoses are clear of cuts, abrasions, worn spots, and pinch points.	
Ensure that all hoses do not get caught in the pinch areas of your skid steer boom.	
Ensure that there is no tool lying on or in your loader.	
Check the tire pressure of your loader and make sure they are inflated to their recommended pressures.	

5.2 General Instructions

5.2.1 Digging with the Bucket

The bucket can be used for digging in the ground or into piles of dirt, sand, and other similar materials.

1. Activate your skid steer loader and the bucket.
2. Center the loader on the material to be picked up.

Warning

Make sure the weight of the target material does not exceed 240.3 lb. (109 kg).

3. Ensure the jaw of the bucket is in the closed position.
4. Make a complete stop in front of the material to position the bucket at the proper height and angle for digging.

Warning

DO NOT ram bucket into the ground or pile.

If digging into the ground:

- a. Lower the loader arms until the bucket is on the ground.
- b. Tilt down the front of the bucket until the front cutting edge is on the ground.
- c. Drive the loader forward slowly while continuing to tilt down the front cutting edge until the bucket starts to dig.
- d. Once the bucket starts digging, tilt up the front cutting edge slightly to increase skid steer traction and achieve even digging depth.
- e. When digging a hard ground, slowly raise and lower the front cutting edge while slowly traveling forward.

If digging into a pile:

- a. Lower the loader arms until the bucket is on the ground.
 - b. Tilt down the front of the bucket until the front cutting edge is on the ground.
 - c. Drive slowly into the pile. As the bucket begins to fill, slowly raise the loader arms.
5. With the bucket filled, stop the loader and raise the bucket out of the pile. At the same time, tilt back the top of the bucket to avoid spilling the load out of the bucket.
 6. Transport the load at a safe, low height to the dumping site.

5.2.2 Picking Up a Load with the Jaw

1. Activate your skid steer loader and the bucket.
2. Center the loader on the material to be picked up.

Warning

Make sure the weight of the target material does not exceed 240.3 lb. (109 kg).

3. Make a complete stop in front of the material and position the bucket at the proper height.
4. Fully open the jaw of the bucket and drive the loader forward until the bucket is above the material.
5. Lower the bucket onto the material and close the jaw to secure the load.
6. Lift the load a few inches to make sure that you have good control of it.
If the load is not secure, release the load and recapture it using a more secure position of the jaw.
7. Transport the load at a safe, low height to the dumping site.

5.2.3 Releasing a Load

1. Stop the loader in front of the desired dumping site and slow raise the load to the required height for dumping.
2. Release the load.
 - If you gripped the load using the jaw of the bucket, open the jaw to release the load.
 - If you held the load using the bucket, tilt down the front of the bucket or open the jaw to release the load.
3. Once the load has been emptied from the bucket, tilt the bucket level and close the jaw if opened.
4. Slowly move the loader back away from the dumped material.
5. Lower the bucket to the lowest height before moving again.

5.2.4 Leveling with the Jaw

1. Stop the loader in front of the targeted area.
2. Fully open the jaw.
3. Turn the top of the loader's mount plate forward and lower the loader arms until the cutting edge of the jaw is on the ground.
4. Travel the loader backward to level the area.
5. To adjust the leveling depth, lower or raise the loader arms.
6. If the material needs to be removed, close the jaw to capture the accumulated material and remove it.

5.2.5 Dozing with the Bucket

1. Stop the loader in front of the targeted area.
2. Fully open the jaw.
3. Lower the lower arms until the dozer blade is on the ground.
4. Travel the loader forward to push the dirt with the dozer blade.
5. To adjust the dozing depth, lower or raise the loader arms.
6. If the material needs to be removed, close the jaw to capture the accumulated material and remove it.

5.2.6 Finishing-up

1. After use, place the hydraulic controls in neutral.
2. Set the parking brake and shut off the engine.
3. Make sure all moving parts have been stopped before dismounting the skid steer loader.

6. Maintenance

⚠ Danger

ALWAYS lower the bucket to the ground, shut off the engine, and relieve pressure in the hydraulic system before any maintenance.

⚠ Warning

ALWAYS wear PPE appropriate and adequate for maintenance.

- Check all parts for wear and loosened fit before each use, and replace as necessary.
- Check the hydraulic hoses and the couplers daily for leaks. Replace the hose if worn or damaged.
- When not in use, store this bucket in a dry and safe place away from direct sunlight and inaccessible to children.
- Apply general-purpose lithium grease to all moving parts by using your grease gun every 10 hours of operation, or more frequently if the bucket has been used for heavy duty.



Contact Us

Thank you for choosing our products! If you have any questions or comments, contact us at help@cs-supportpro.com and we'll resolve your issue ASAP!

For a .pdf copy of the latest version of these instructions, use the appropriate app on your smartphone to scan the QR code to the right.

